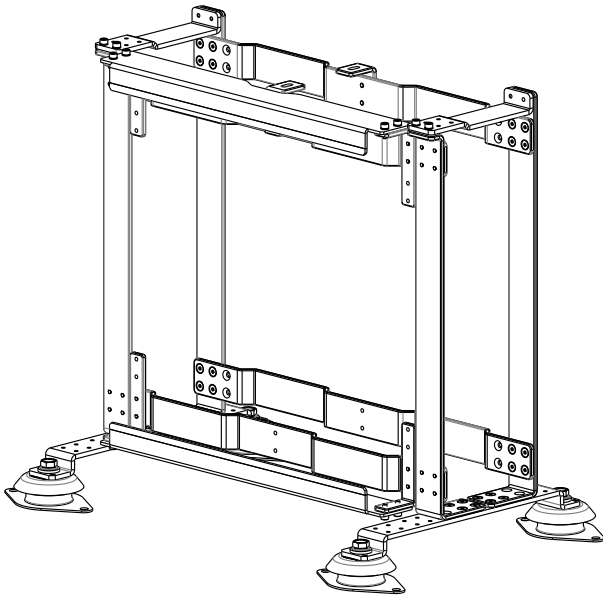


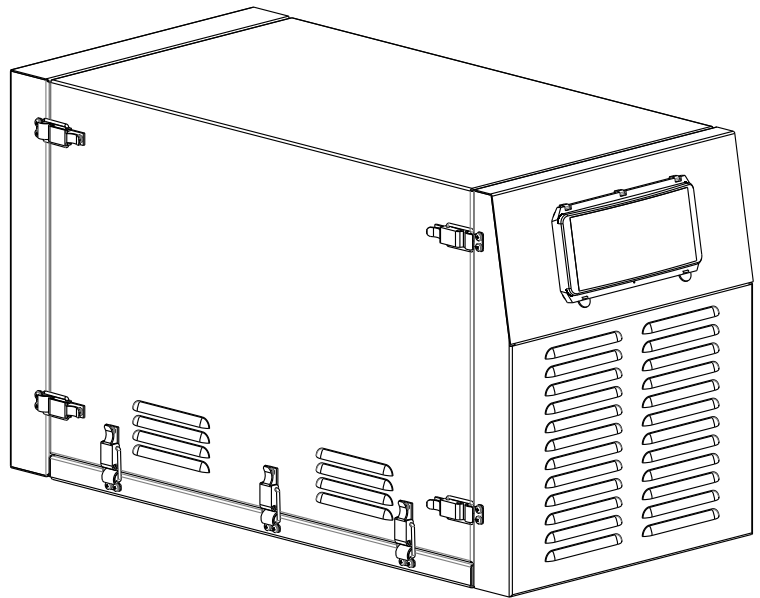


by Schneider Electric

# SecureTower Bolt Down Vibration Isolation Kit SRT10BDVK & IP23 Enclosure SRT10IP23



**SRT10BDVK**

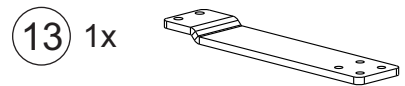
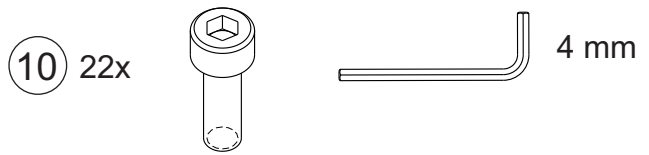
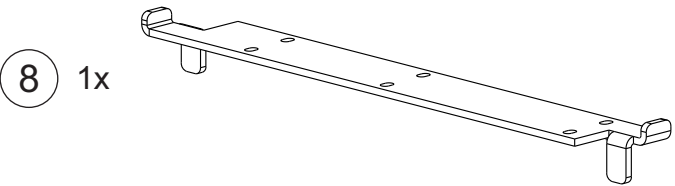
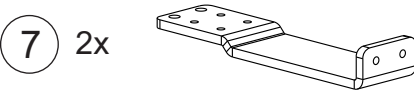
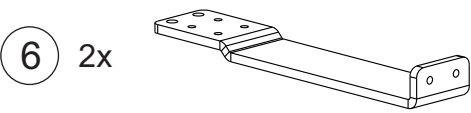
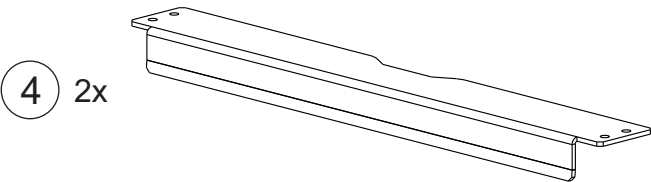
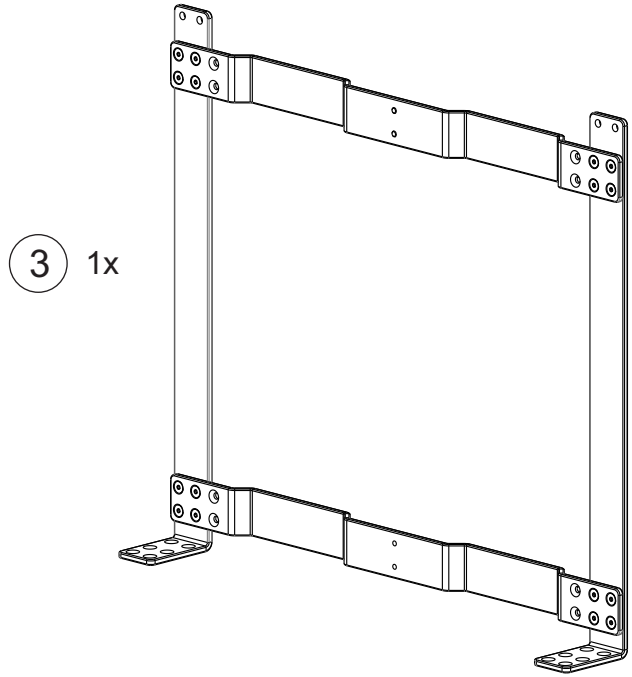
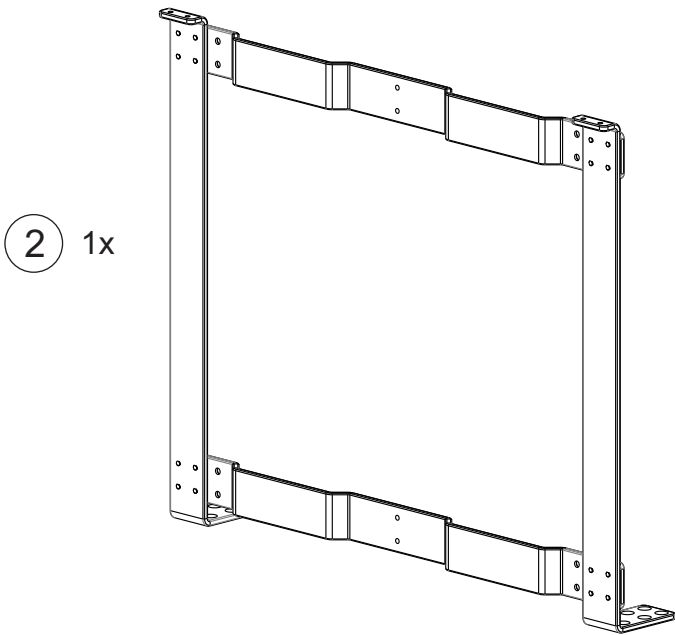
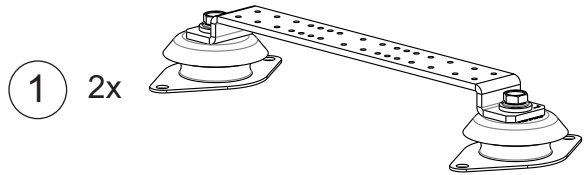


**SRT10IP23**

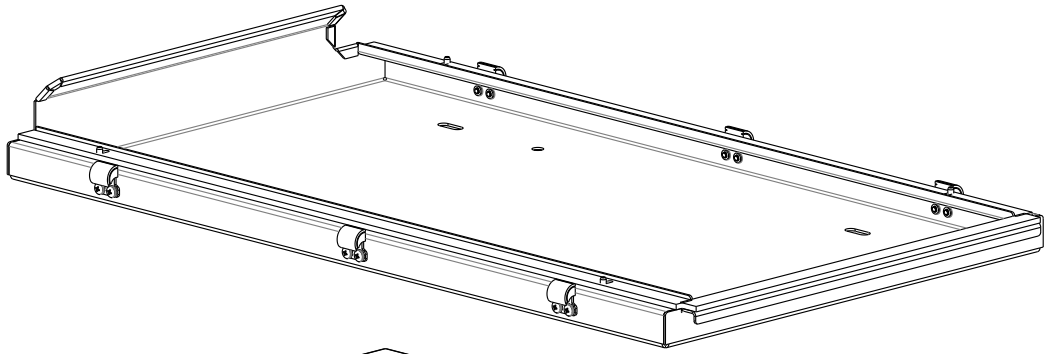
Customer support and warranty information is available at the APC Web site, [www.apc.com](http://www.apc.com)

© 2017 APC by Schneider Electric. APC, the APC logo and Smart-UPS are owned by Schneider Electric Industries S.A.S. or their affiliated companies. All other trademarks are property of their respective owners.

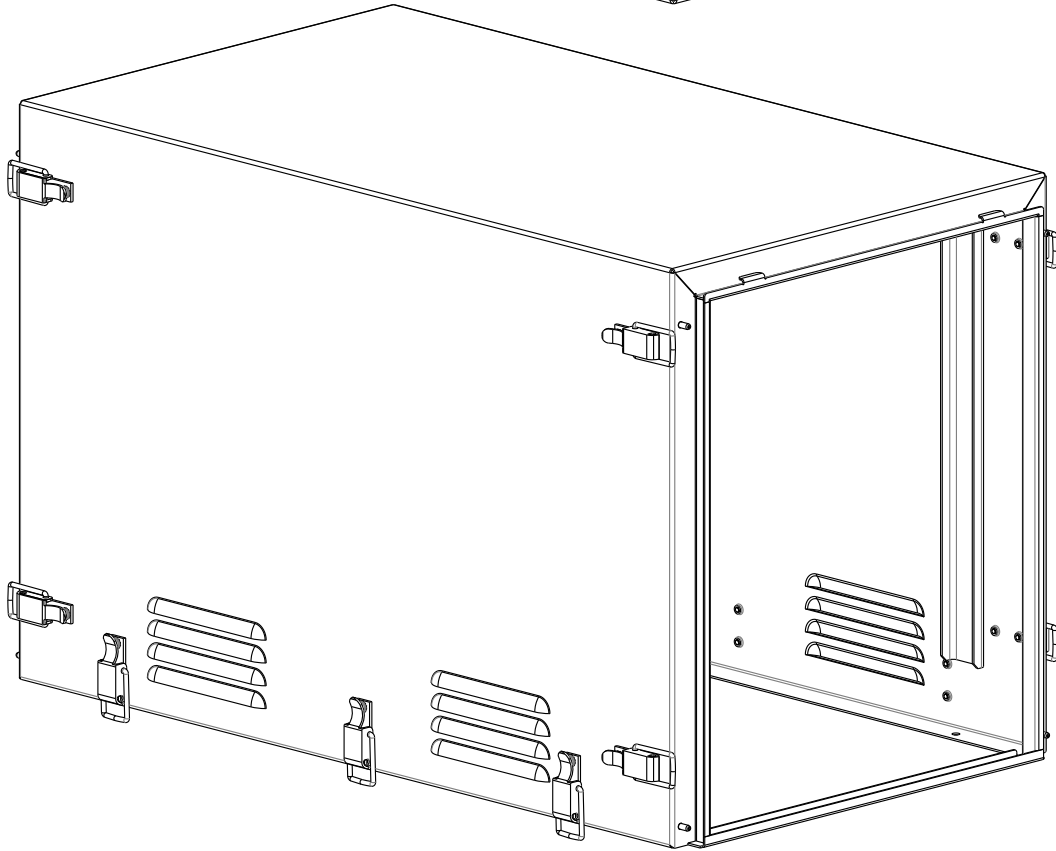
990-5622B  
6/2017



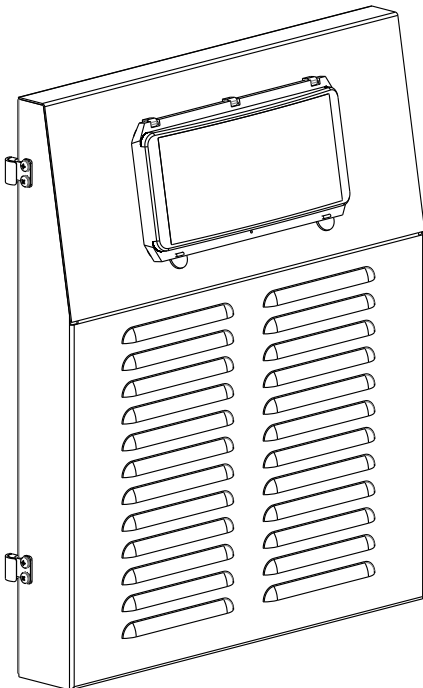
14 1x



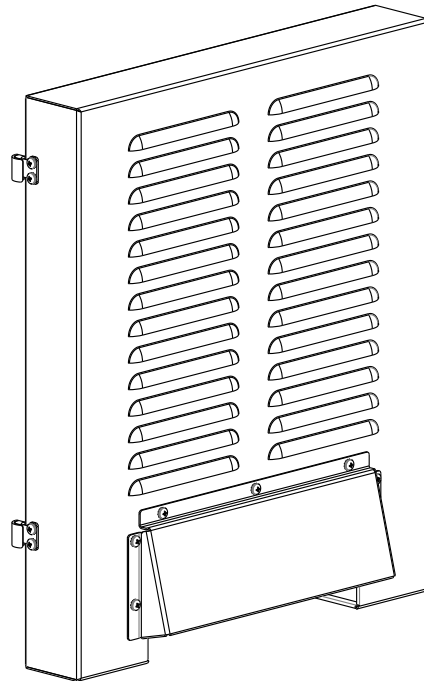
15 1x



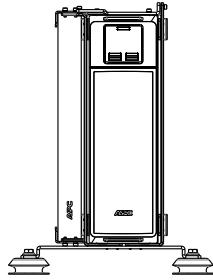
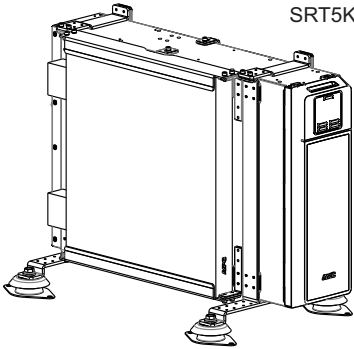
16 1x



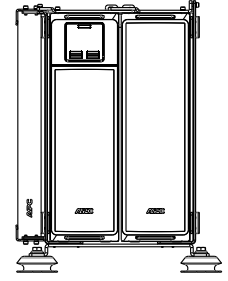
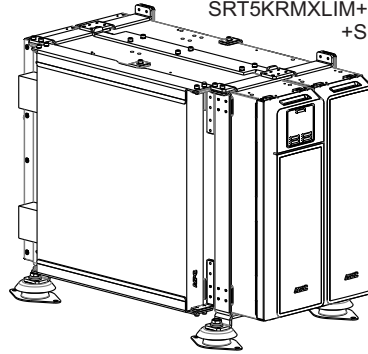
17 1x



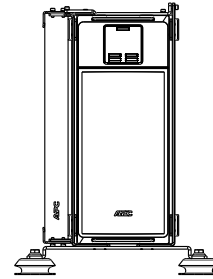
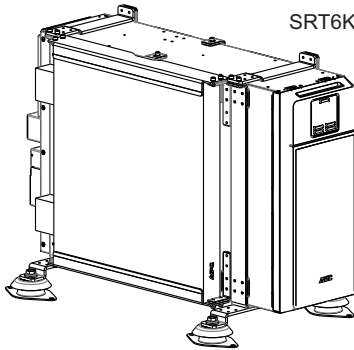
SRT5KRMXLIM+SRT6M+SRT10BDVK



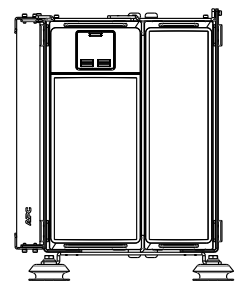
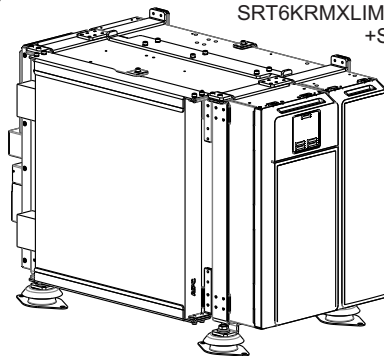
SRT5KRMXLIM+SRT192RMBPM  
+SRT6M+SRT10BDVK



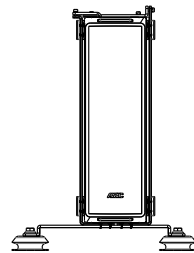
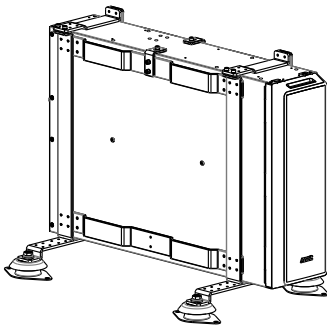
SRT6KRMXLIM+SRT6M+SRT10BDVK



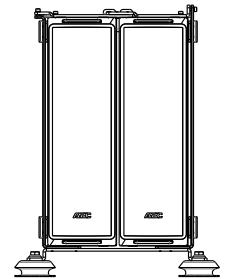
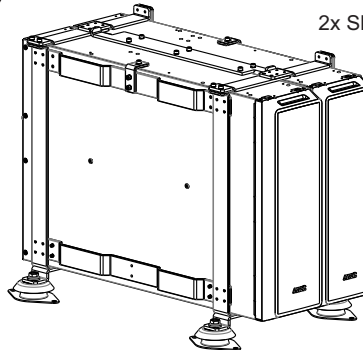
SRT6KRMXLIM+SRT192RMBPM  
+SRT6M+SRT10BDVK



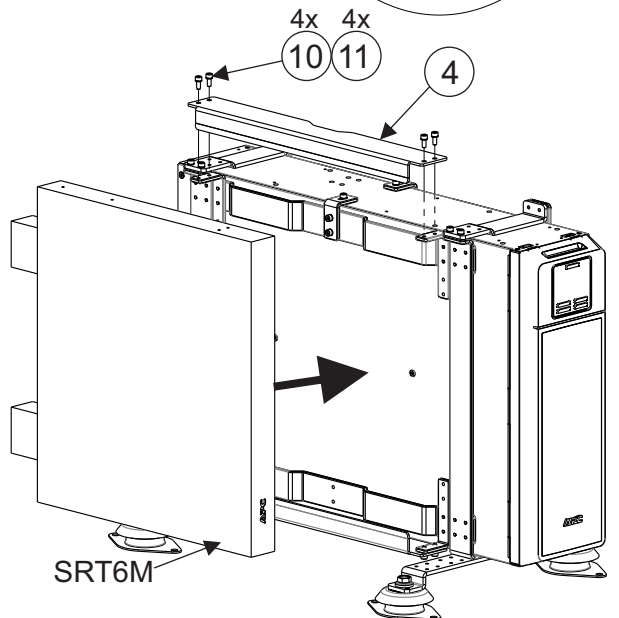
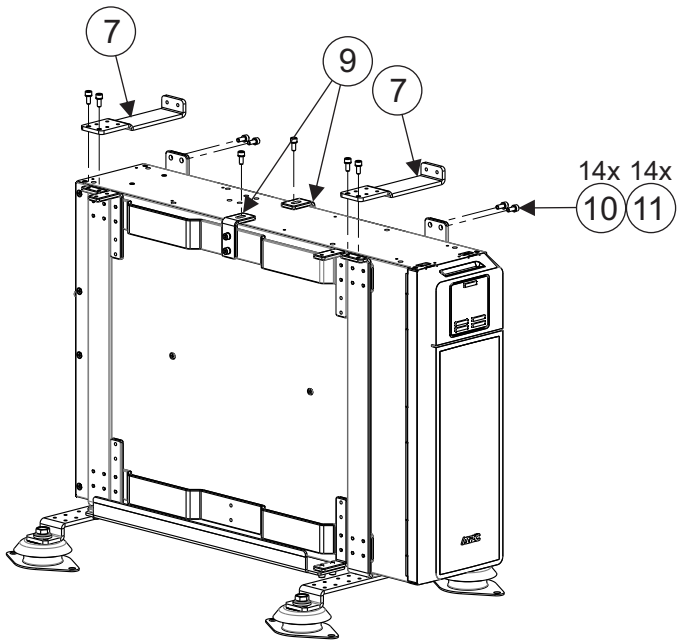
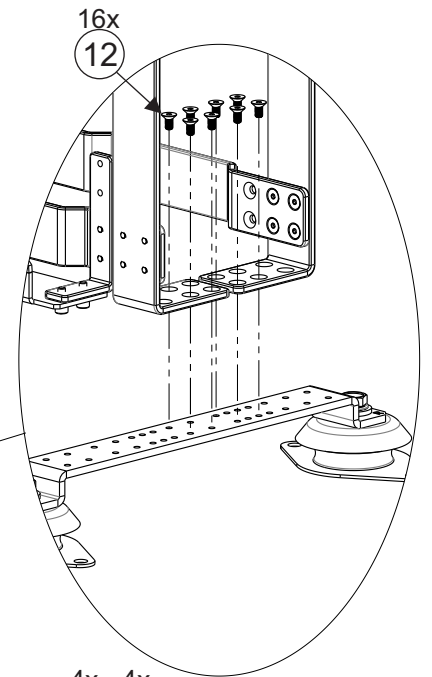
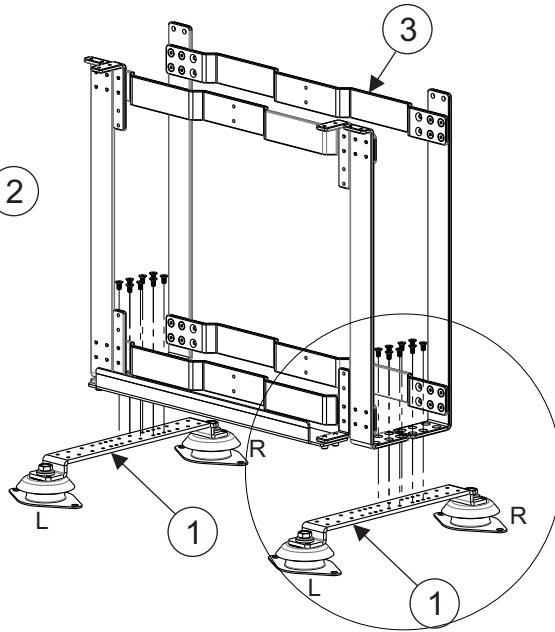
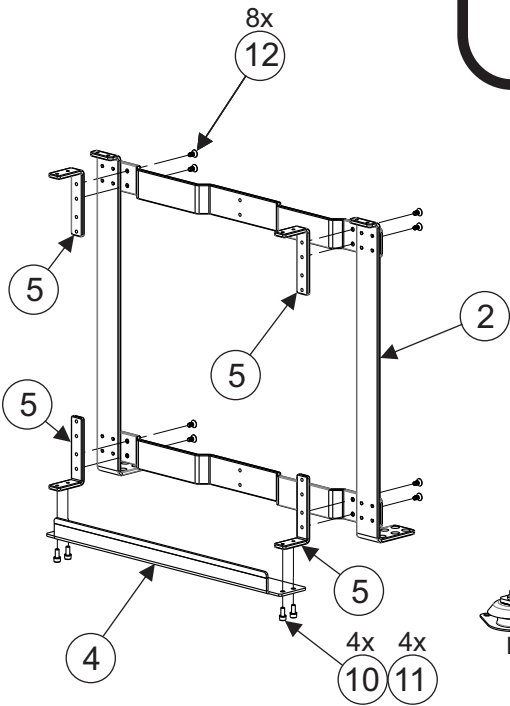
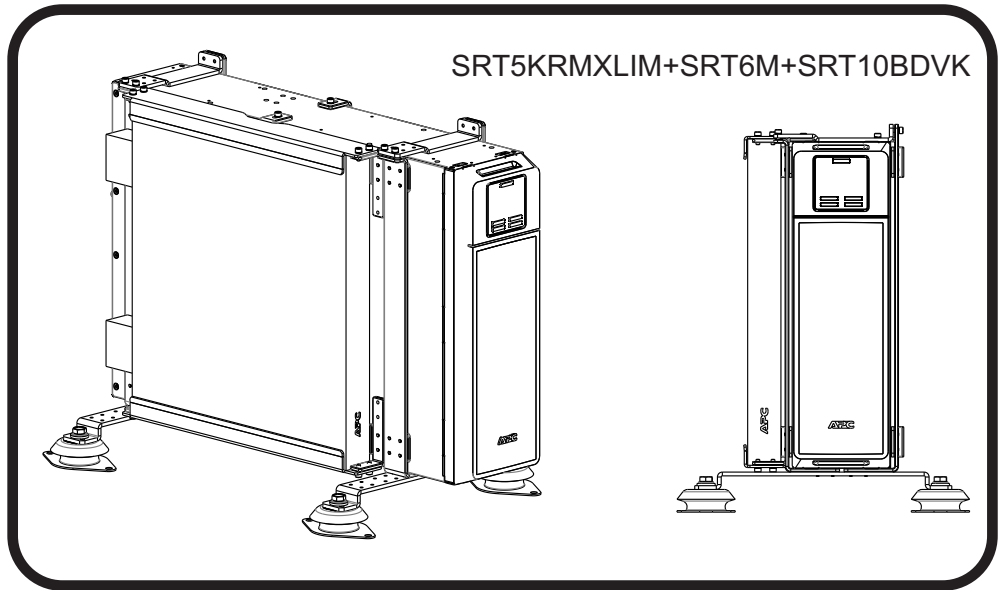
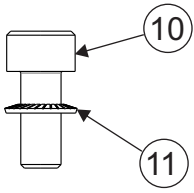
SRT192BPM+SRT10BDVK



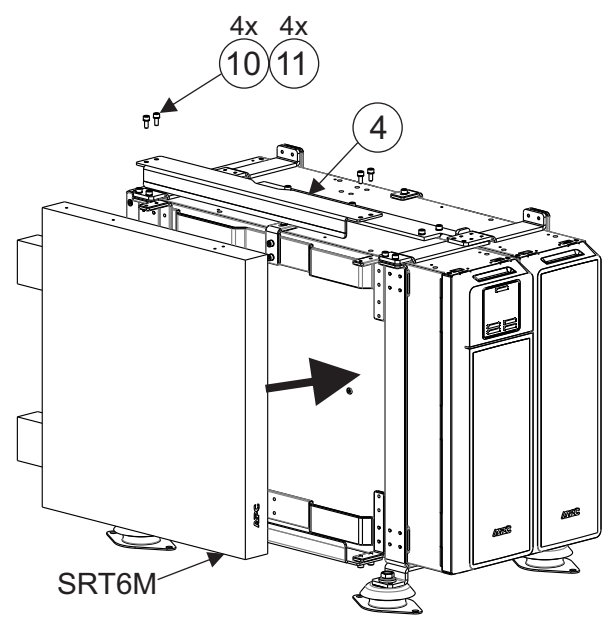
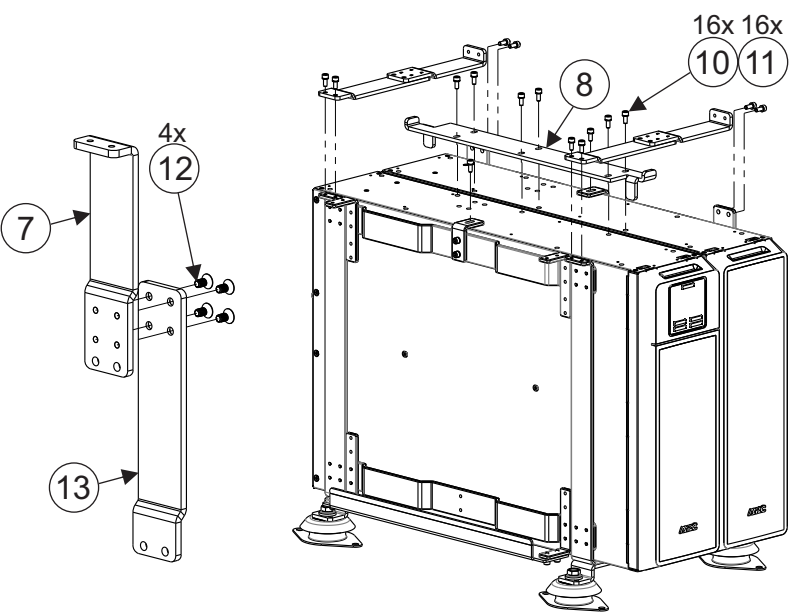
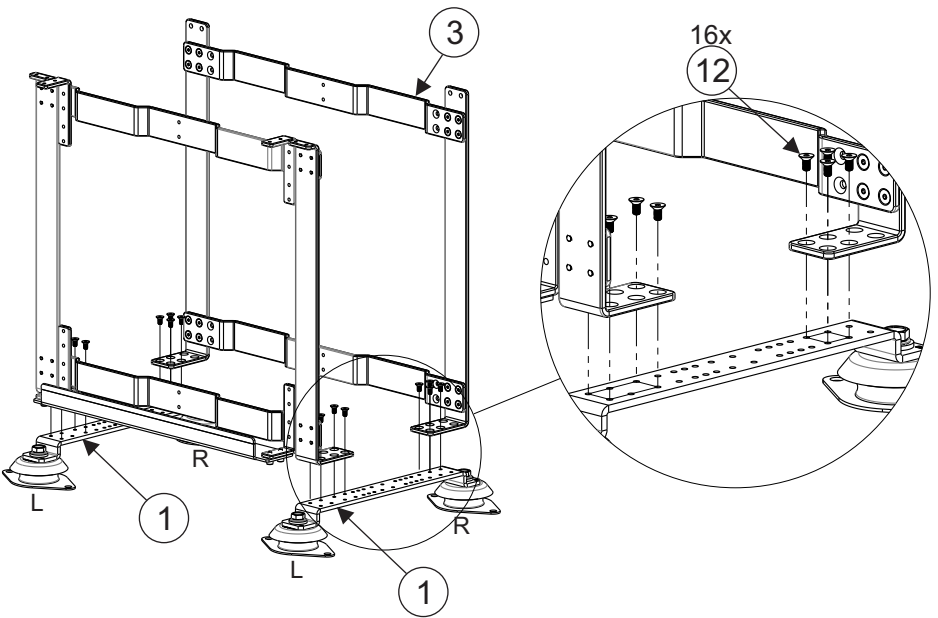
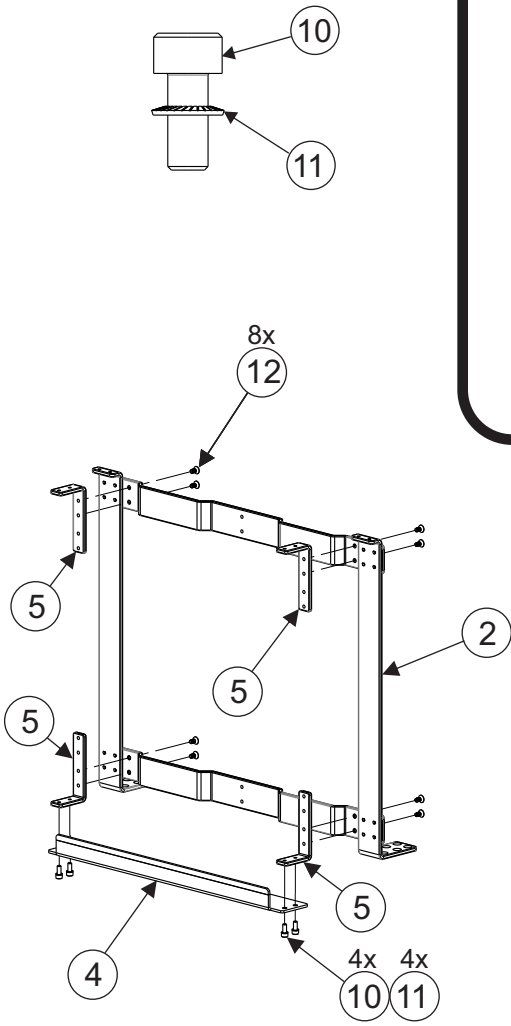
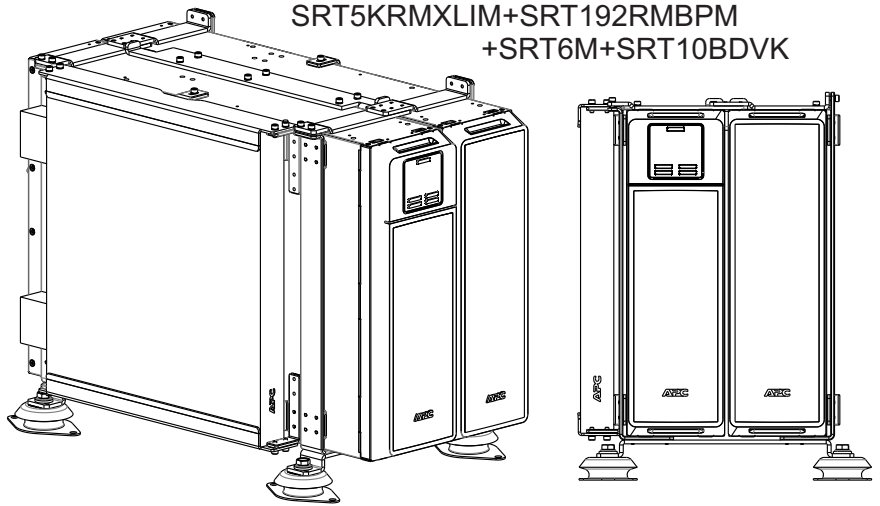
2x SRT192RMBPM+SRT10BDVK



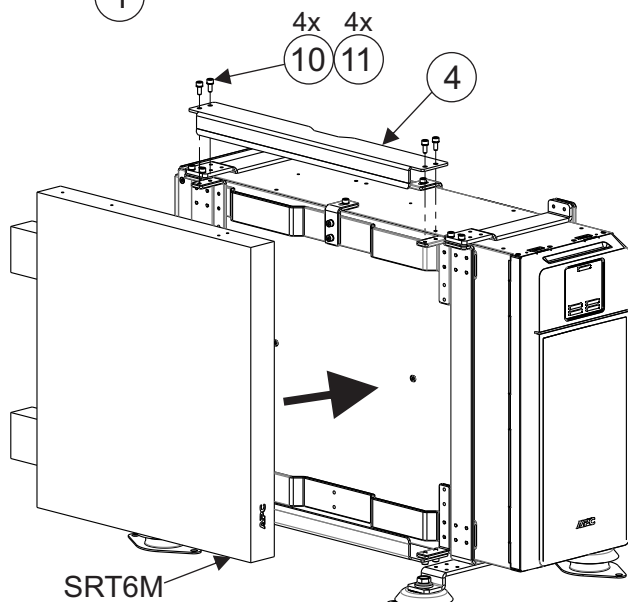
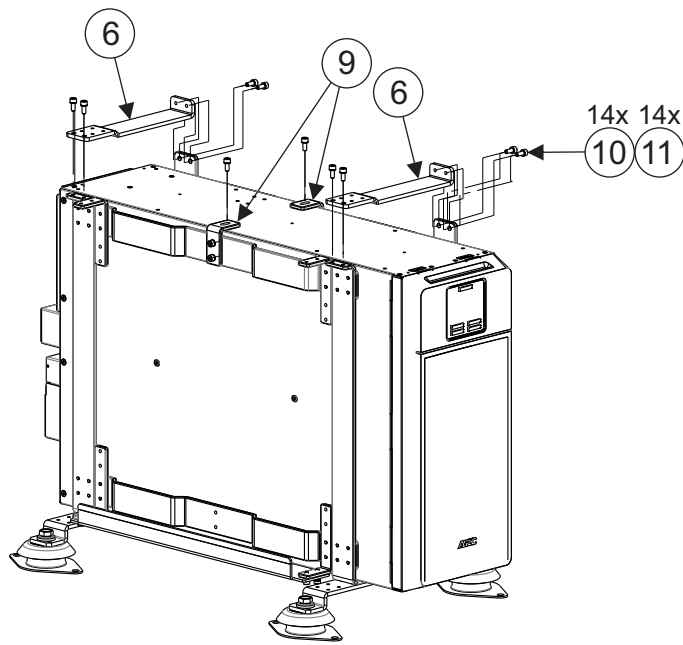
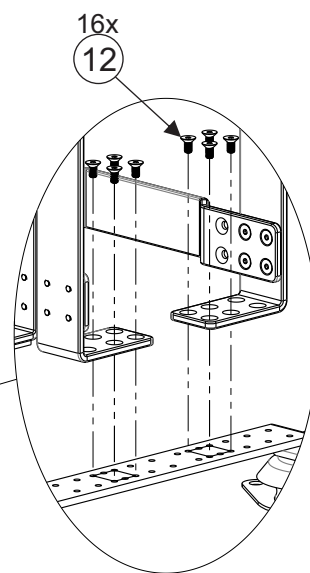
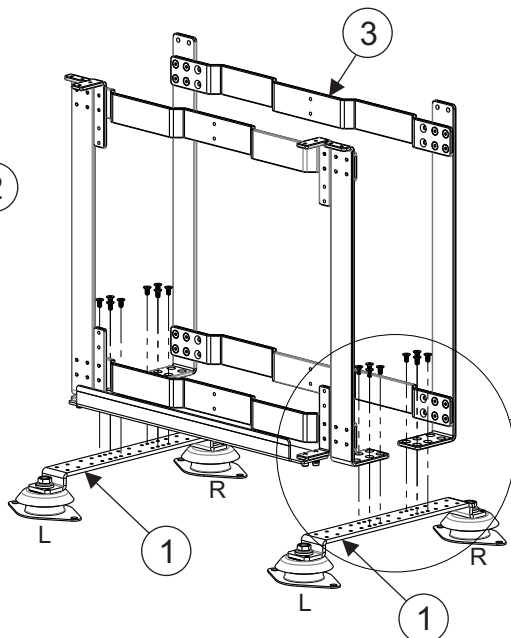
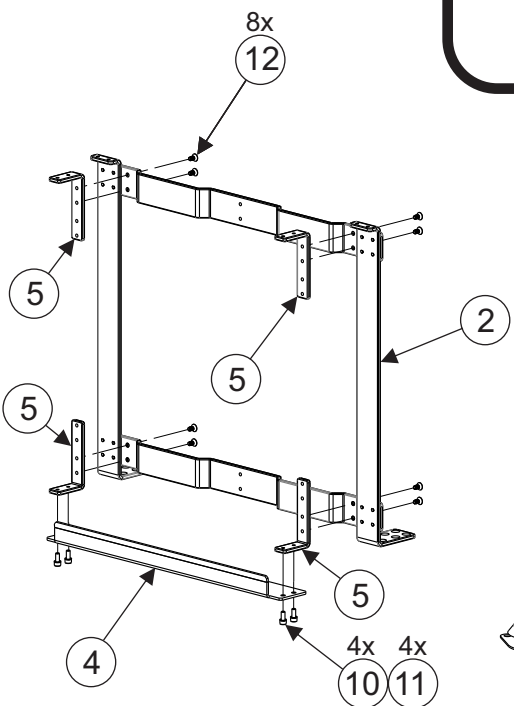
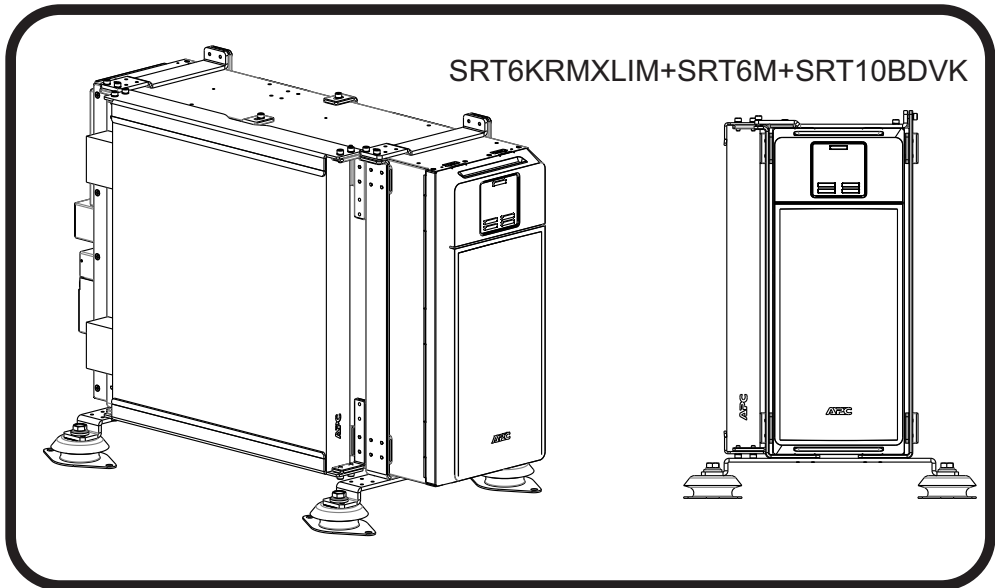
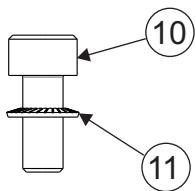
SRT5KRMXLIM+SRT6M+SRT10BDVK



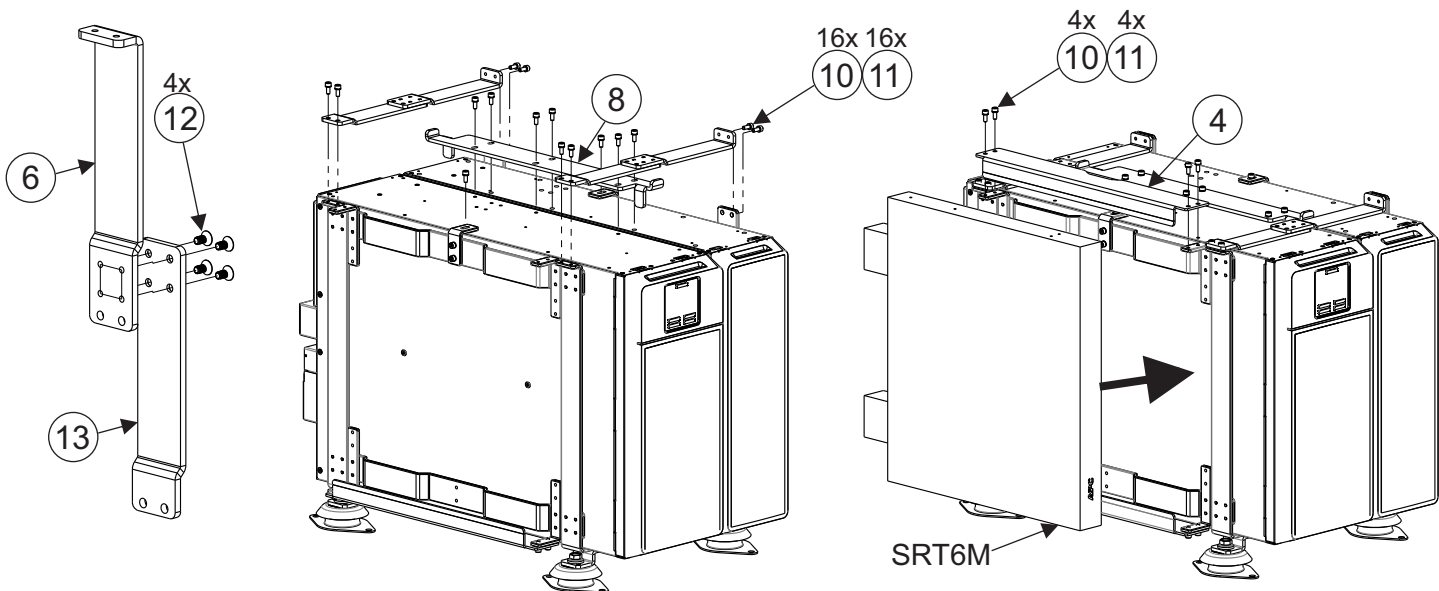
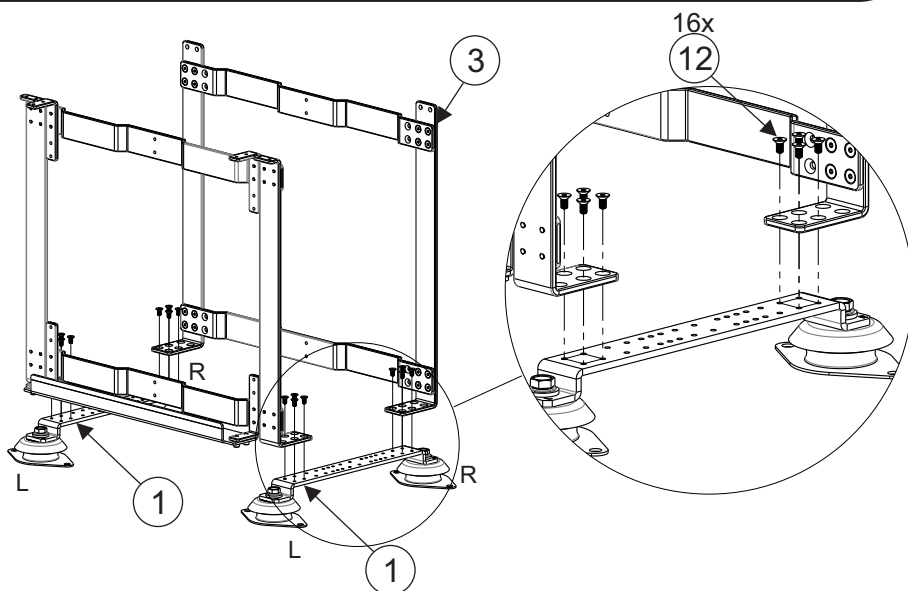
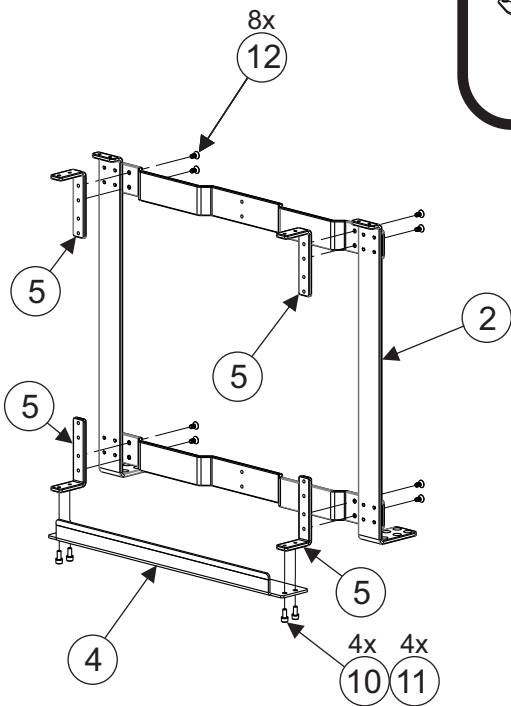
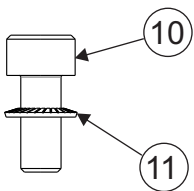
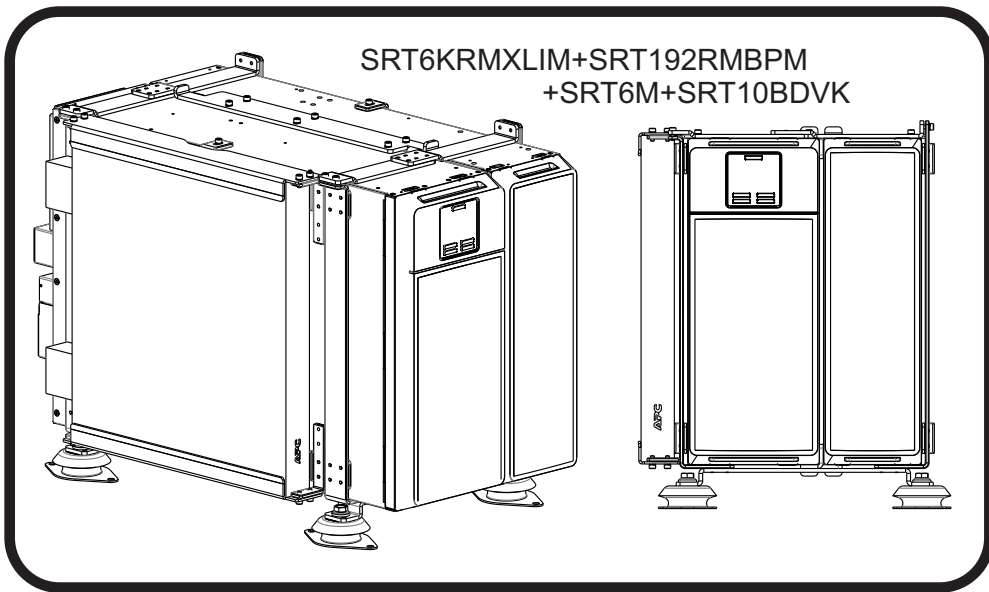
SRT5KRMXLIM+SRT192RMBPM  
+SRT6M+SRT10BDVK



SRT6KRMXLIM+SRT6M+SRT10BDVK

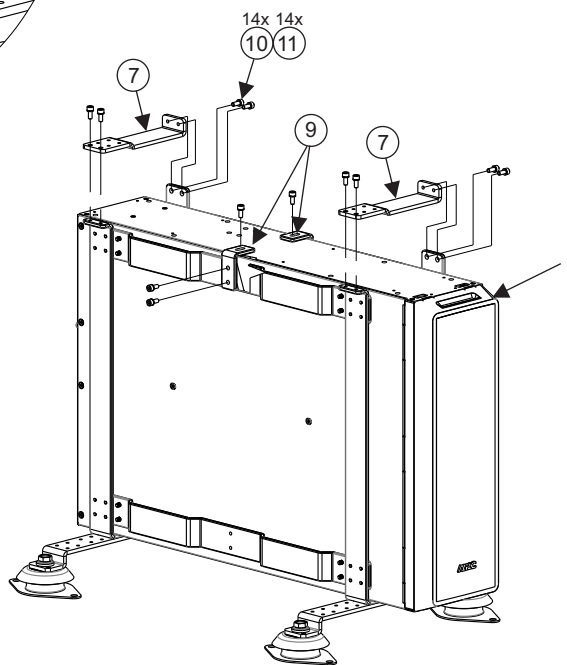
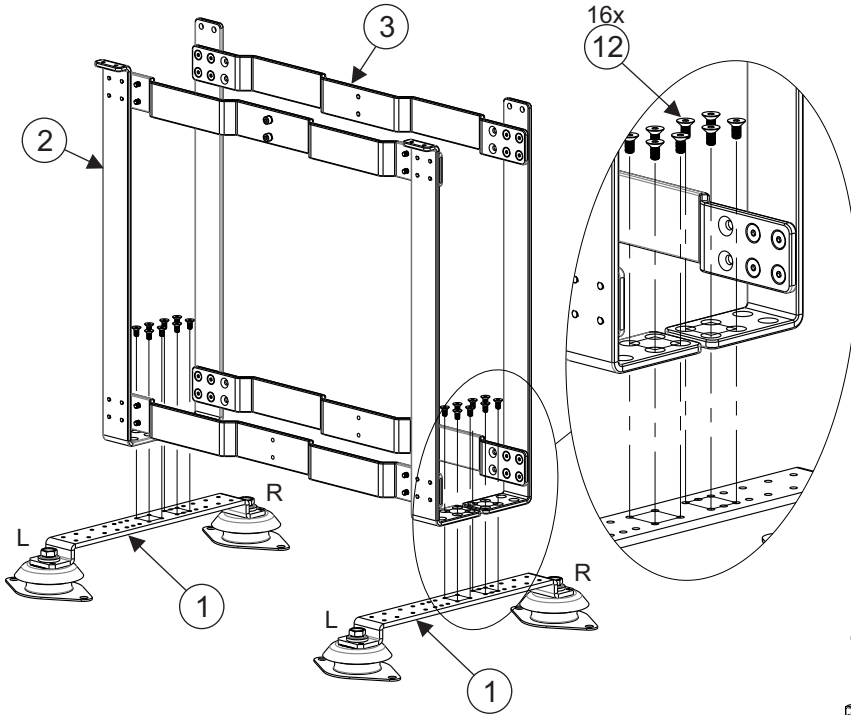
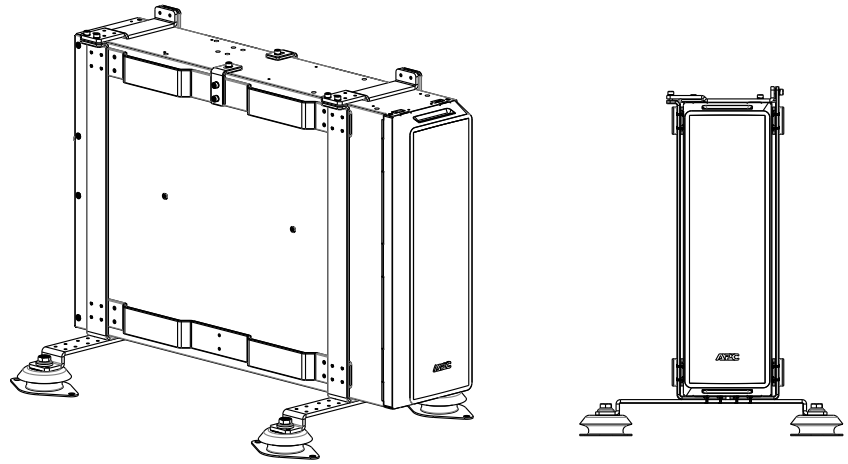
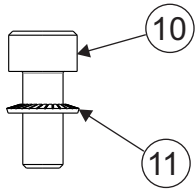


SRT6KRMXLIM+SRT192RMBPM  
+SRT6M+SRT10BDVK

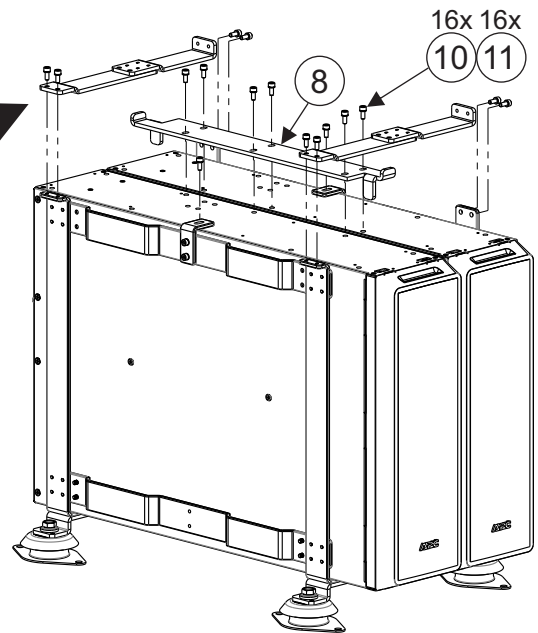
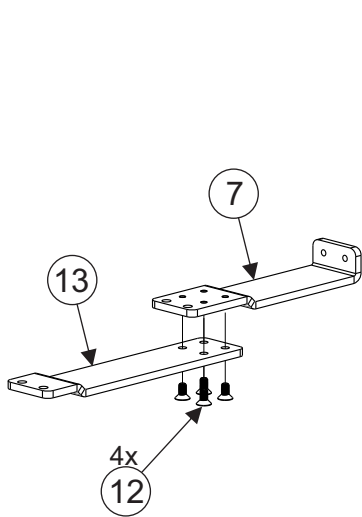
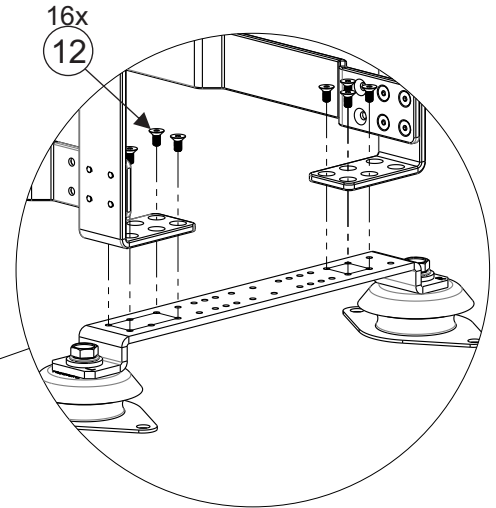
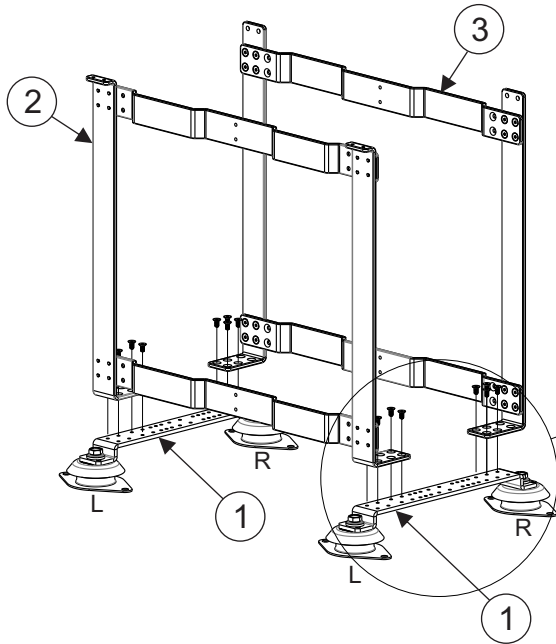
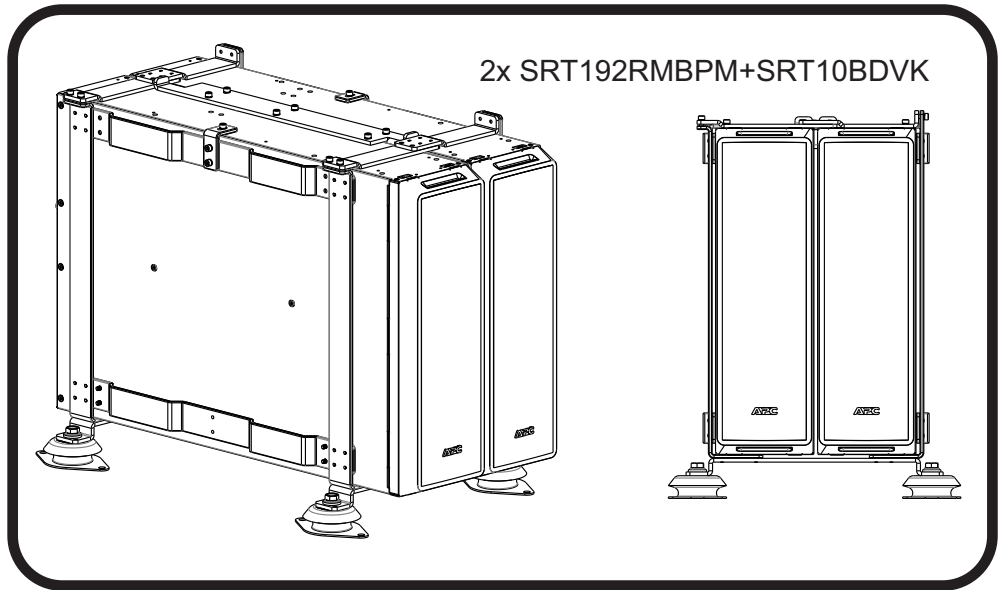
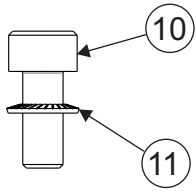


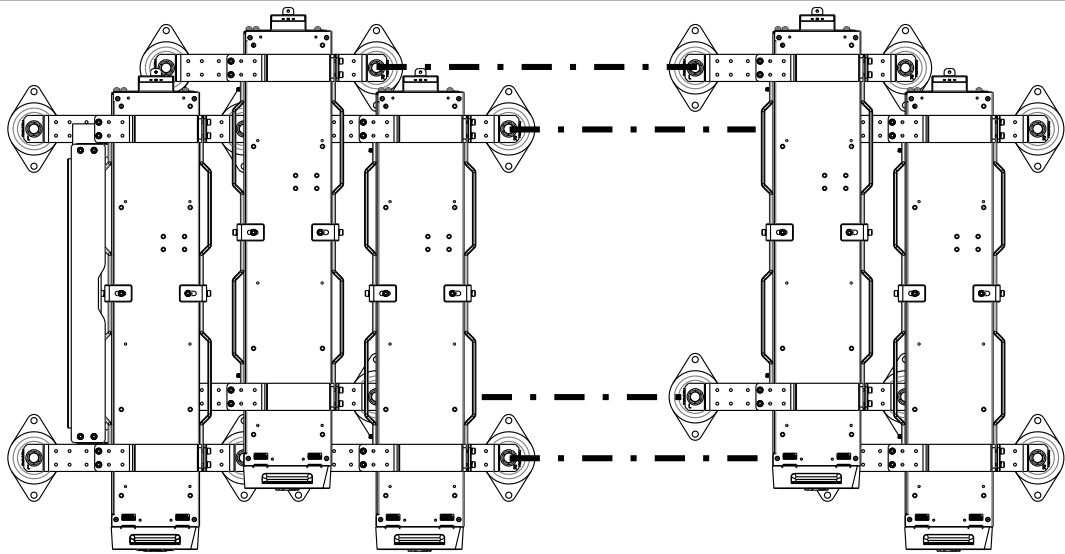


SRT192BPM+SRT10BDVK



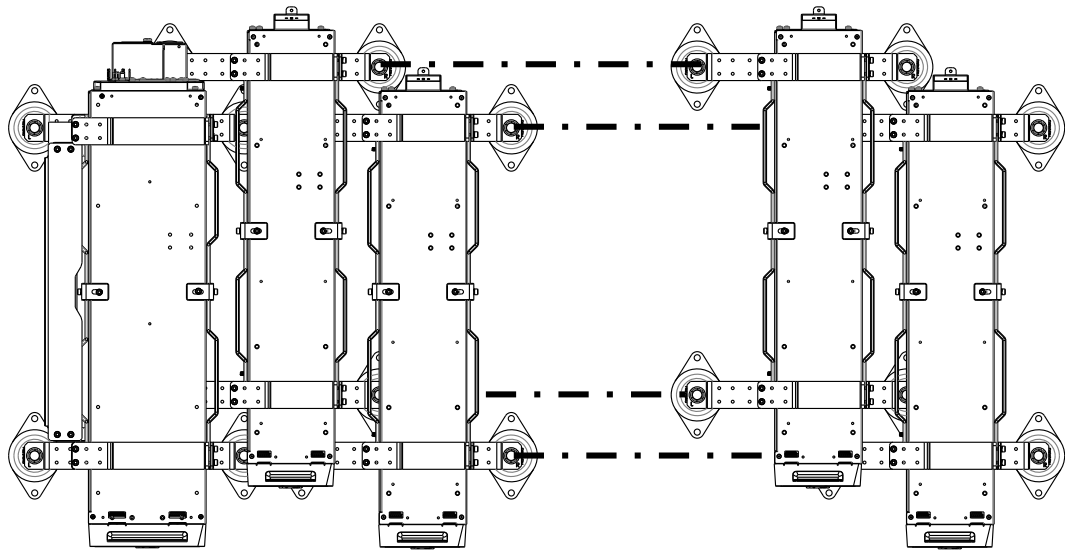
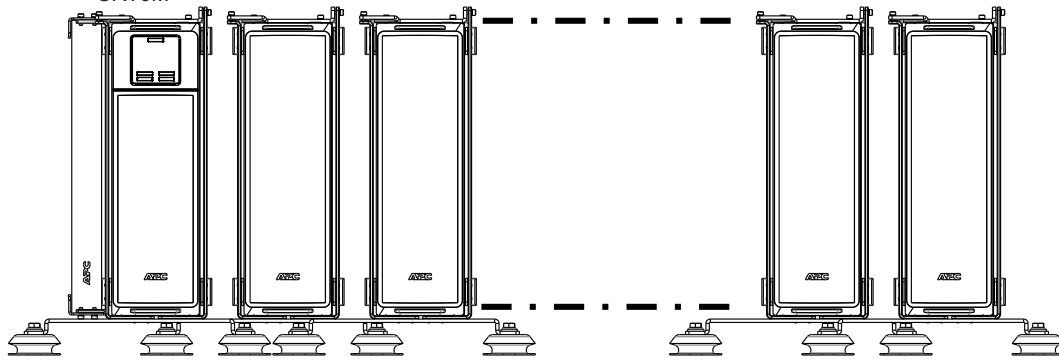
2x SRT192RMBPM+SRT10BDVK





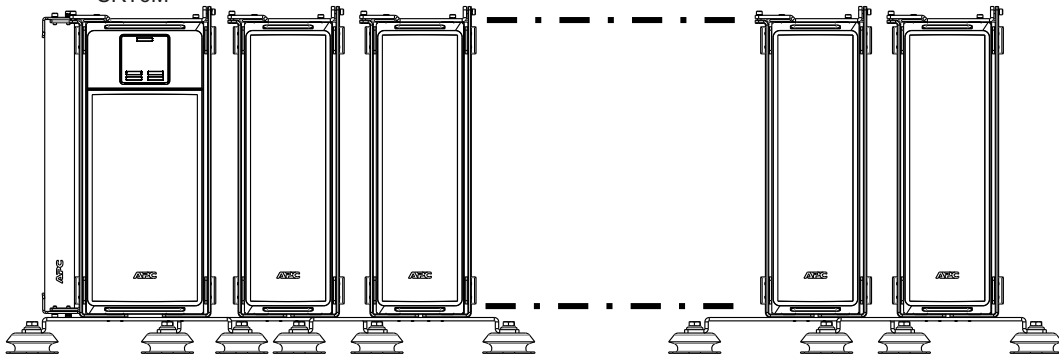
SRT5KRMXLIM  
SRT6M

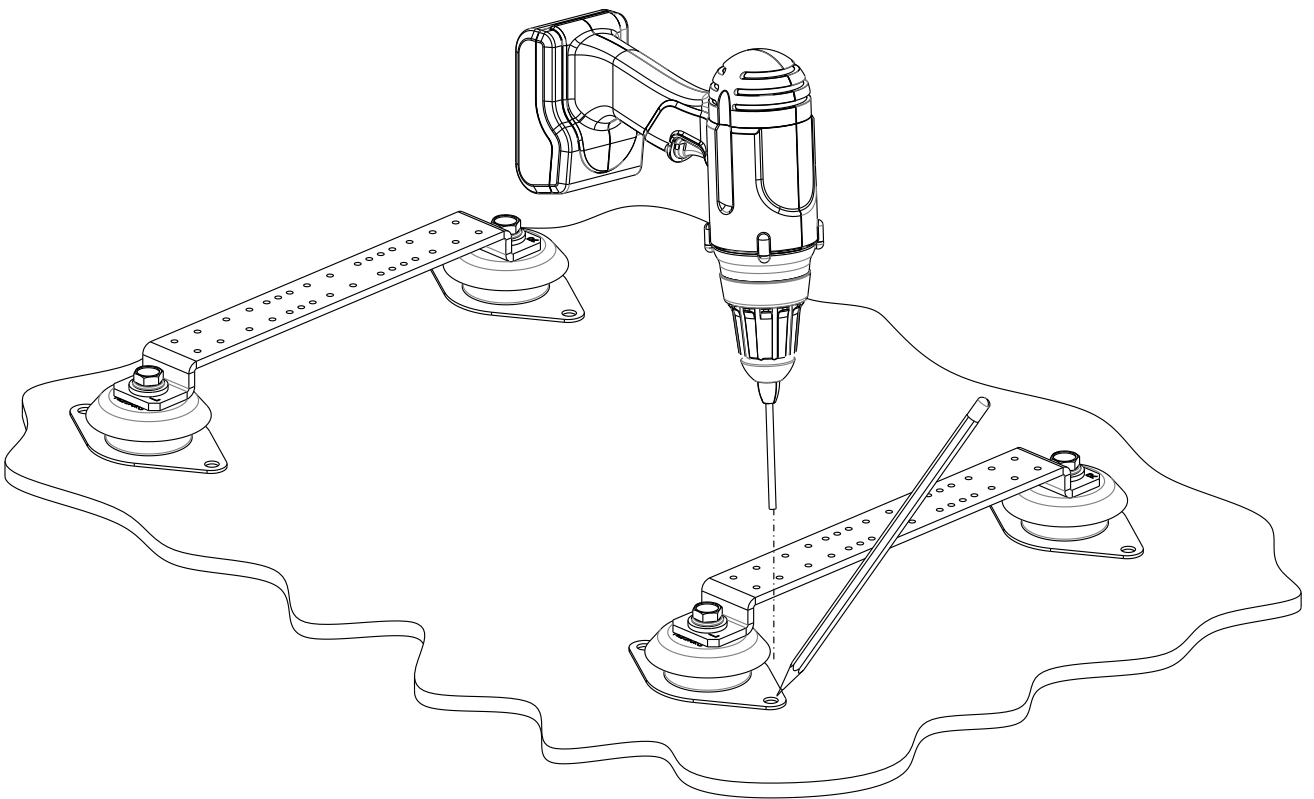
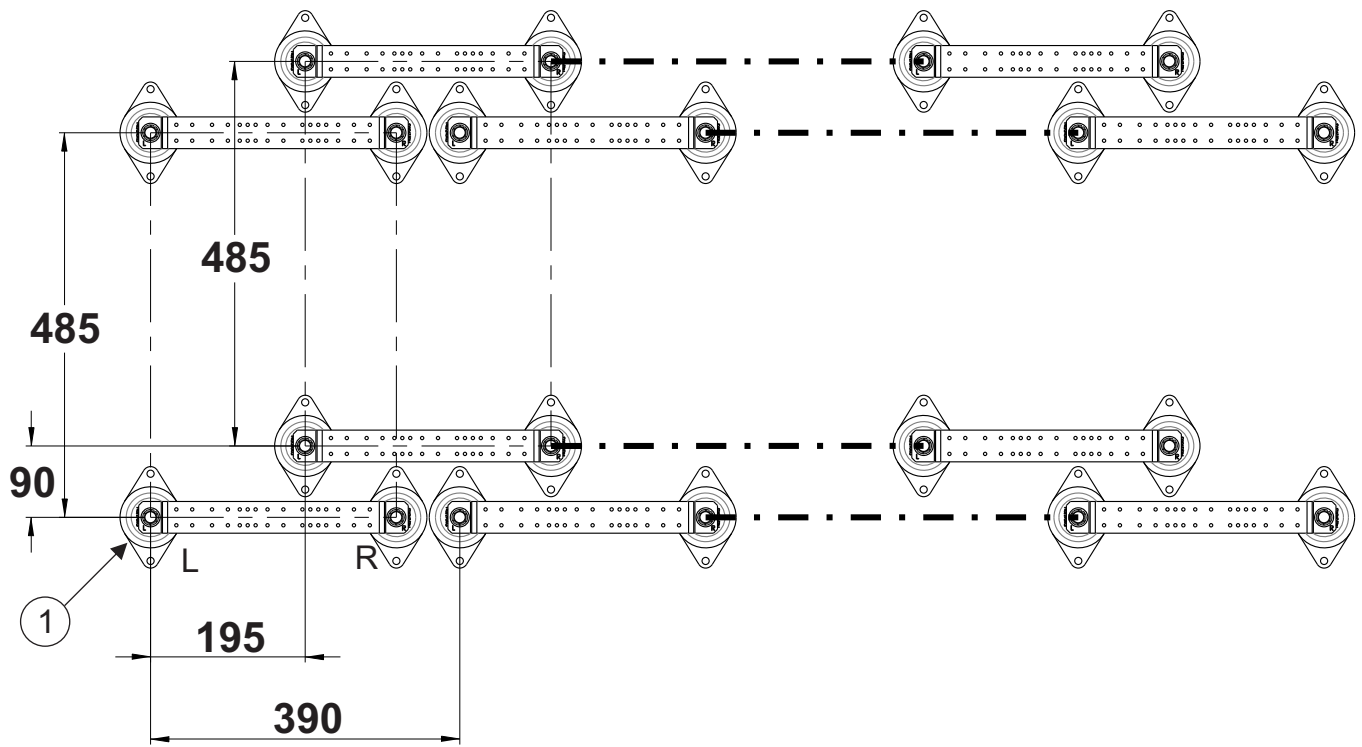
SRT192BPM



SRT6KRMXLIM  
SRT6M

SRT192BPM





485

