

Smart-UPS™ Uninterruptible Power Supply

2200/3000 VA,

Rack-Mount 2U, with Lithium-Ion batteries

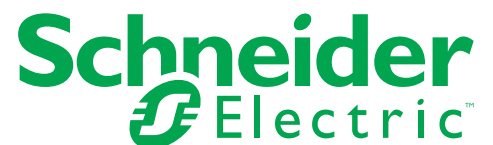
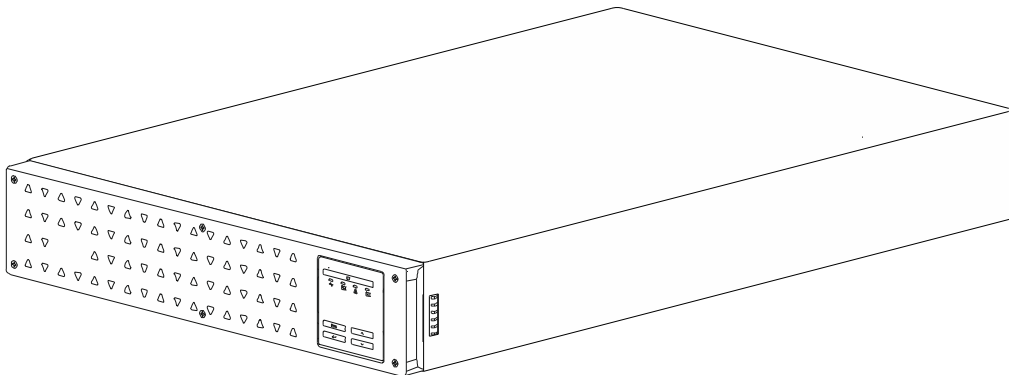
User Manual

SMTL2200RMI2UC/SMTL2200RMI2UCNC

SMTL3000RMI2UC/SMTL3000RMI2UCNC

EN TME20822

08/2023



Legal Information

The APC brand and any trademarks of Schneider Electric SE and its subsidiaries referred to in this guide are the property of Schneider Electric SE or its subsidiaries. All other brands may be trademarks of their respective owners.

This guide and its content are protected under applicable copyright laws and furnished for informational use only. No part of this guide may be reproduced or transmitted in any form or by any means (electronic, mechanical, photocopying, recording, or otherwise), for any purpose, without the prior written permission of APC.

APC does not grant any right or license for commercial use of the guide or its content, except for a non-exclusive and personal license to consult it on an "as is" basis. APC products and equipment should be installed, operated, serviced, and maintained only by qualified personnel.

As standards, specifications, and designs change from time to time, information contained in this guide may be subject to change without notice.

To the extent permitted by applicable law, no responsibility or liability is assumed by APC and its subsidiaries for any errors or omissions in the informational content of this material or consequences arising out of or resulting from the use of the information contained herein.

Important Safety Instructions

SAVE THESE INSTRUCTIONS - This manual contains important instructions that should be followed during installation and maintenance of the UPS and batteries.



This is the “Read user manual” symbol. Read the user documentation to become familiar with the equipment.

Read these instructions carefully and look at the equipment to become familiar with the device before trying to install and operate it.

The following special messages may appear throughout this bulletin or on the equipment to warn of potential hazards or to call attention to information that clarifies or simplifies a procedure.



The addition of this symbol either to a “Danger” or “Warning” safety label indicates that an electrical hazard exists that will result in personal injury if the instructions are not followed.



This is the safety alert symbol. It is used to alert you to potential personal injury hazards. Obey all safety messages that follow this symbol to avoid possible injury or death.

DANGER

DANGER indicates a hazardous situation which, if not avoided, **will result in** death or serious injury.

WARNING

WARNING indicates a hazardous situation which, if not avoided, **could result in** death or serious injury.







CAUTION

CAUTION indicates a hazardous situation which, if not avoided, **could result in** minor or moderate injury.

NOTICE

NOTICE is used to address practices not related to physical injury.

Product Handling Guidelines

					
<18 kg <40 lb	18-32 kg 40-70 lb	32-55 kg 70-120 lb	>55 kg >120 lb		

Electrical equipment should be installed and operated only by qualified personnel. No responsibility is assumed by Schneider Electric for any consequences arising out of the use of this material.

Safety and General Information

Inspect the package contents upon receipt. Notify the carrier and dealer if there is any damage.

- Adhere to all national and local electrical codes.
- All wiring must be performed by a qualified electrician.
- **Changes and modifications to this unit not expressly approved by APC by Schneider Electric could void the warranty.**
- This UPS is intended for indoor use only.
- Do not operate this unit in direct sunlight, in contact with fluids, or where there is excessive dust or humidity.
- Be sure the air vents on the UPS are not blocked. Allow adequate space for proper ventilation.
- For a UPS with a factory installed power cord, connect the UPS power cable directly to a wall outlet. Do not use surge protectors or extension cords.
- The equipment is heavy. Always practice safe lifting techniques adequate for the weight of the equipment.
- Always install peripheral equipment above the UPS in rack-mount configuration.
- The replaceable battery modules (RBM) are heavy. Remove the RBMs before installing the UPS.
- Additional safety instructions can be found in the Safety Guide supplied with this unit.

Deenergizing safety

The UPS contains internal batteries and may present a shock hazard even when disconnected from the branch circuit (mains). Before installing or servicing the equipment check that the:

- Input circuit breaker is in the **OFF** position.
- Internal UPS batteries are removed.

Electrical safety

- Use tools with insulated handles.
- Do not handle any metallic connector before power has been disconnected.
- The protective earth conductor for the UPS carries the leakage current from the load devices (computer equipment). An insulated ground conductor is to be installed as part of the branch circuit that supplies the UPS. The conductor must have the same size and insulation material as the grounded and ungrounded branch circuit supply conductors. The conductor will typically be green, with or without a yellow stripe.
- Leakage current for a pluggable, Type A UPS may exceed 3.5 mA when a separate ground terminal is used.
- The UPS input ground conductor must be properly bonded to protective earth at the service panel.
- If the UPS input power is supplied by a separately derived system, the ground conductor must be properly bonded at the supply transformer or motor generator set.

Battery safety **WARNING****RISK OF CHEMICAL HAZARD AND EXCESSIVE HEAT**

- Replace the battery at least every 10 years, or at the end of its service life, which ever is earlier.
- Replace the battery immediately when the UPS indicates battery replacement is necessary.
- Replace batteries with the same number and type of batteries as originally installed in the equipment.
- Replace the battery immediately when the UPS indicates a battery over-temperature condition or UPS internal over-temperature. Power off the UPS, unplug it from the AC input, and disconnect the batteries.
- Do not operate the UPS until the batteries have been replaced.

Failure to follow these instructions can result in death or serious injury.

- Servicing of batteries should be performed or supervised by personnel knowledgeable about batteries and the required precautions.
- Contact APC by Schneider Electric Customer Support to determine the age of the installed RBMs.
- The battery typically lasts for five to ten years. Environmental factors impact battery life. Elevated ambient temperatures, poor quality utility power, and frequent short duration discharges will shorten battery life.
- For longest battery performance, the ambient temperature should be maintained between 68 and 77 °F (20 and 25 °C).
- Replace the battery module once the battery module have reached the end of their service life even if the UPS has not indicated that battery replacement is necessary.
- The batteries are user replaceable. Under normal operating conditions, there is no need for replacement. If attempting to replace batteries,
 - Use only APC by Schneider Electric battery modules.
 - Do not use third-party batteries as replacements.
- APC by Schneider Electric uses Lithium Ion batteries. Under normal use and handling, there is no contact with the internal components of the battery.
- Do not drive nails into the battery pack.
- Do not strike the battery pack with a hammer.
- Do not stand on the battery pack.
- Do not short circuit battery pack.
- Do not place or use the battery pack near heat or fire.
- Do not use a dropped, damaged or deformed battery pack.
- Do not use the battery pack to power other equipment.

- CAUTION: A battery can present a risk of electrical shock and high short-circuit current. Contact with any part of a grounded battery can result in electrical shock. The following precautions should be observed when working on batteries:
 - Wear rubber gloves and boots.
 - Do not lay tools or metal parts on top of batteries.
 - Disconnect charging source and load prior to installing or maintaining the battery.
 - Remove battery grounds during installation and maintenance to reduce likelihood of shock.
 - Determine if battery is either intentionally or inadvertently grounded. Contact with any part of a grounded battery can result in electric shock and burns by high short-circuit current. The risk of such hazards can be reduced if grounds are removed during installation and maintenance by a skilled person. Remove the connection from ground if any part of the battery is determined to be grounded.
- CAUTION: Before installing or replacing the batteries, remove conductive jewelry such as chains, wrist watches and rings. High energy through conductive materials could cause severe burns.
- CAUTION: Do not dispose of the battery pack in a fire. The batteries may explode.
- CAUTION: Do not open or tamper with the battery enclosure. Doing so will expose the cell terminals which pose an energy hazard.
- CAUTION: Do not open or mutilate the battery or batteries. Released electrolyte is harmful to the skin and eyes. It may be toxic.
- CAUTION: Failed batteries can reach temperatures that exceed the burn thresholds for touchable surfaces.

General information

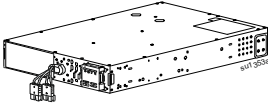
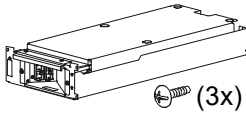
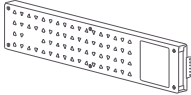



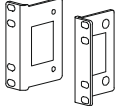

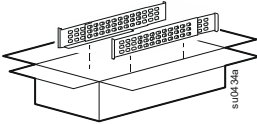

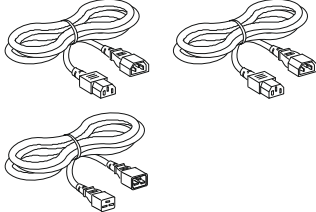
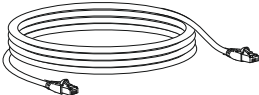

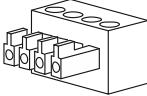
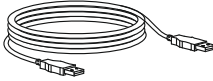
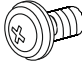
- The model and serial numbers are located on a small, rear panel label. For some models, an additional label is located on the chassis under the front bezel.
- Always recycle used batteries. For information on recycling batteries, go to apc.com/recycle.
- Recycle the package materials or save them for reuse.

Radio Frequency Warning

This is a category C2 UPS product. In a residential environment, this product may cause radio interference, in which case the user may be required to take additional measures.

Package Contents

Inspect the contents upon receipt. Notify the carrier and dealer if the unit is damaged.

<p>UPS</p> 	<p>Battery module</p> 	<p>Bezel</p> 
<p>User documentation</p> 	<p>PowerChute™ software download guide</p> 	<p>Input power cords</p> 
<p>Rack mount brackets</p>  <p>Flat head screw (4x)</p> 	<p>Rail kit</p>  <p>Washer (10x)</p> 	<p>Output power cords</p> 
<p>Ethernet cable</p> 	<p>Flat head screw (10x)</p> 	<p>EPO connector</p> 
<p>USB cable</p> 	<p>Ornamental screw (4x)</p> 	

Specifications

For additional specifications, refer to the APC Web site at www.apc.com.

Environmental specifications

Temperature	Operating	0 to 40 °C (32 to 104 °F)
	Storage	-15 to 45 °C (5 to 113 °F)
Maximum Elevation	Operating	10,000 ft (3,048 m)
	Storage	25,000 ft (7,620 m)
Shelf Life	Storage	Limited by battery state of charge. Batteries must be recharged when storage time exceeds 12 months.
Humidity		0% to 95% relative humidity, non-condensing
International Protection Code		IP20

Physical

The UPS is heavy. Follow all lifting guidelines.


	SMTL2200RMI2UC SMTL3000RMI2UC	SMTL2200RMI2UCNC SMTL3000RMI2UCNC
Unit weight batteries included, without packaging	33.19 kg (73.17 lb)	33.28 kg (73.37 lb)
Unit weight batteries included, with packaging	59.65 kg (131.51 lb)	60.85 kg (134.15 lb)
Unit dimensions without packaging Height x Width x Depth	3.39 x 17.01 x 26.89 in (86.1 x 432 x 683 mm)	
Unit dimensions with packaging Height x Width x Depth	23.39 x 25.59 x 39.37 in (594 x 650 x 1000 mm)	
The model and serial numbers are on a small label located on the rear panel.		

Battery

Battery type	Li-ion
Replacement battery module This UPS has swappable battery modules. Refer to the appropriate replacement battery user manual for installation instructions. Contact your dealer or go the APC by Schneider Electric web site, www.apc.com for information on replacement batteries.	APCRBC174-LI
Number of battery modules	1 battery module
Voltage for each battery module	48 VDC
Ah rating	9 Ah per battery module

Electrical

Applicable power grid power distribution system	TN Power System
Overvoltage category	II
Applicable Standard	IEC62040-1

 CAUTION
<p>RISK OF FIRE, ELECTRIC SHOCK</p> <p>Connect the UPS models only to a circuit provided with recommended maximum branch circuit overcurrent protection in accordance with IEC/EN 60934.</p> <p>Failure to follow these instructions can result in fire, and minor or moderate injury.</p>

Models	Rating	Branch Circuit Overcurrent / Building Circuit Breaker (CB) Current Rating
SMTL2200RMI2UC/ SMTL2200RMI2UCNC	2200 VA / 1980 W	16 A
SMTL3000RMI2UC/ SMTL3000RMI2UCNC	3000 VA / 2700 W	

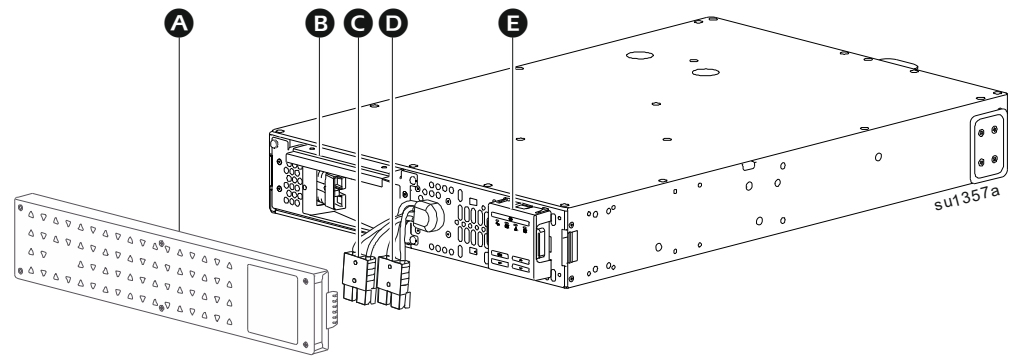
Output

Model	SMTL2200RMI2UC SMTL2200RMI2UCNC			SMTL3000RMI2UC SMTL3000RMI2UCNC		
Frequency	50/60 Hz ± 3 Hz					
Connector type	8x IEC 320 C13 and 1x IEC 320 C19					
Nominal Voltage	220 VAC	230 VAC	240 VAC	220 VAC	230 VAC	240 VAC
Current	10 A	9.57 A	9.17 A	13.64 A	13.04 A	12.50 A
Power	2200 VA / 1980 W			3000 VA / 2700 W		

Input

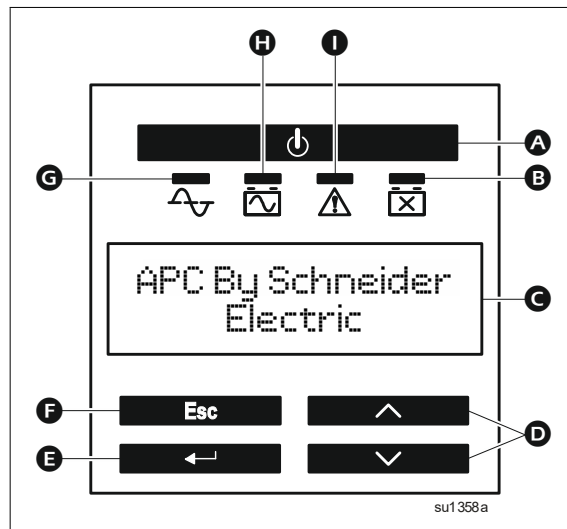
Model	SMTL2200RMI2UC SMTL2200RMI2UCNC	SMTL3000RMI2UC SMTL3000RMI2UCNC
Frequency	50/60 Hz ±3 Hz (auto sensing)	
Connector type	IEC 320 C20	
Nominal Voltage	220 - 240 VAC	
Current	13 A	16 A

Product Front View



A	Bezel
B	Battery
C	Internal battery connector - Black color
D	Internal battery connector - Red color
E	Front Panel Display

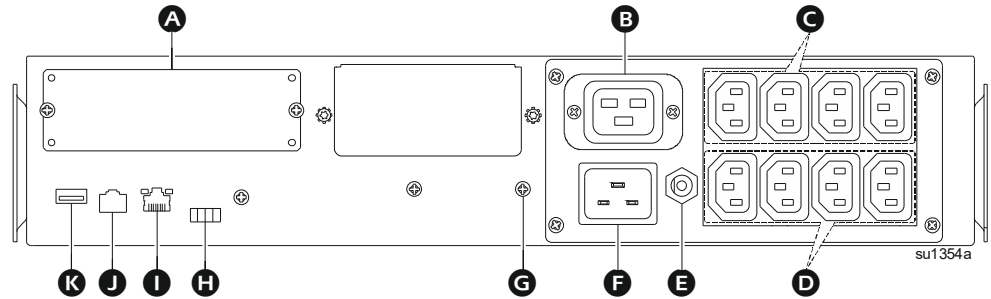
Front panel display features



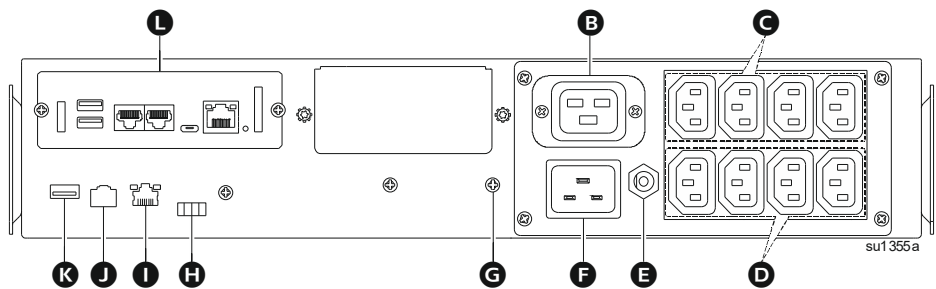
A	UPS ON/OFF button
B	Replace Battery LED
C	Multi-lingual display screen
D	UP/DOWN button
E	ENTER button
F	ESCAPE button
G	On-Line LED
H	On-Battery LED
I	Internal Error Detected LED

Rear panel features

SMTL2200RMI2UC/SMTL3000RMI2UC



SMTL2200RMI2UCNC/SMTL3000RMI2UCNC



A SmartSlot for APC management card	I SmartConnect Ethernet port Refer to “SmartConnect” on page 14 for details.
B Outlet	J Serial port
C Controlled outlet group (Group1)	
D Outlets	K USB port
E Input circuit breaker	L AP9641 Network Management Card (NMC). NOTE: Refer the user manual of the NMC card for details of the ports.
F UPS input	
G Chassis ground connection screw	
H EPO connector	


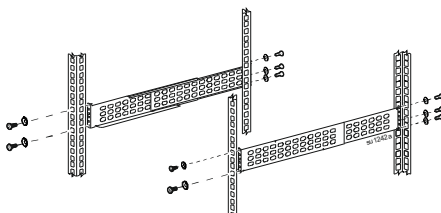
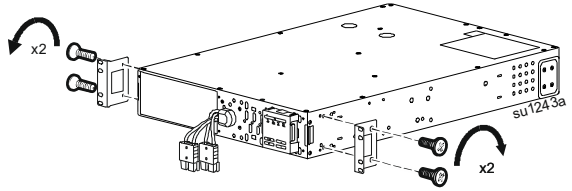
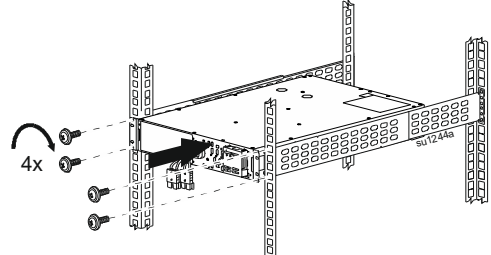
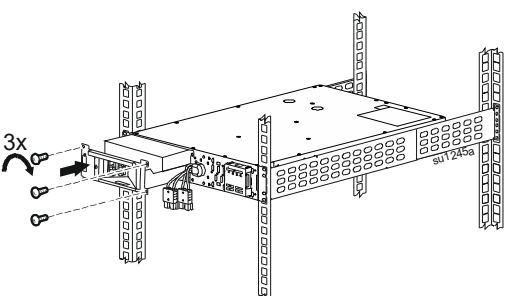
Installation

Placement

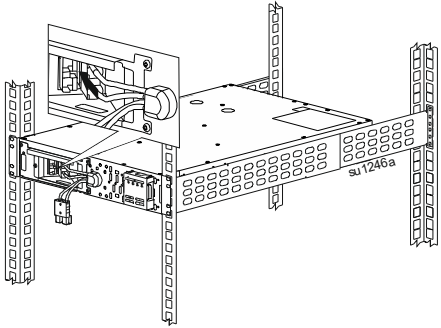
Do not place the UPS where there is excessive dust, temperature and humidity. Note that temperature in excess of 25 °C may have an adverse effect on battery and UPS life. All vents on the side or rear of the UPS should be free of obstructions.

The UPS is heavy. It is suggested that the batteries be removed for easier installation. The UPS should be placed near the bottom of the rack.

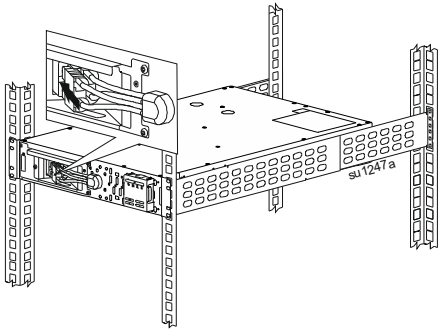
Rack-mounting

 CAUTION	
<p>RISK OF FALLING EQUIPMENT</p> <ul style="list-style-type: none"> • The equipment is heavy. • Always practice safe lifting techniques adequate for the weight of the equipment. • Use the battery module handle to slide the battery modules in or out of the UPS. • Do not use the battery module handle to lift or carry the battery module. <p>Failure to follow these instructions could result in equipment damage and minor or moderate injury.</p>	
<p>1 Install the rail-kit on the rack, using flat head screws (10x) and washers (10x) (supplied).</p>	
<p>2 Install the rack-mount brackets on the UPS, using the flat head screws (4x) (supplied).</p>	
<p>3 Install the UPS on the rack, using the ornamental screws (4x) (supplied)</p>	
<p>4 Install the battery module in the UPS. Tighten the 3 screws to secure the battery to the UPS.</p>	

5 Connect the black color internal battery connector to the black color receptacle in the battery module. Be sure that the connection is secure.

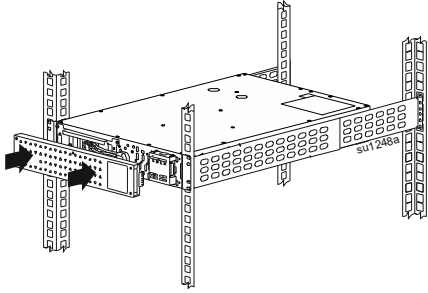


6 Connect the red color internal battery connector to the red color receptacle in the battery module. Be sure that the connection is secure.



NOTE: Pull the strap provided on the connectors for disconnecting the battery. Do not pull the wires.

7 Install the bezel.



SmartConnect

SmartConnect Ethernet Port allows you to monitor the health and status of your UPS from any device connected to the Internet. Availability of features varies by terms of use. Access the terms of use at <https://smartconnect.apc.com>.

Refer to "EcoStruxure™ IT SmartConnect" below for details.

EcoStruxure™ IT SmartConnect

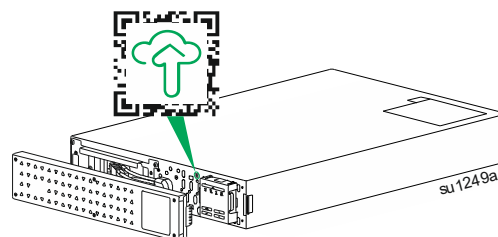
The Web Portal allows you to remotely view the status of your UPS, receive automatic notifications about UPS events, and firmware updates. The features vary with terms of use. Visit smartconnect.apc.com to learn more.

By connecting this product to the Internet using the SmartConnect Ethernet port, you are agreeing to the APC SmartConnect Terms of Use and Data Privacy Notice, as found at smartconnect.apc.com/terms-and-privacy. The Schneider Electric Data Privacy Policy can also be found at smartconnect.apc.com/terms-and-privacy.

Log onto smartconnect.apc.com or scan the QR code to begin the registration process. The QR code is located behind the front bezel of the UPS.

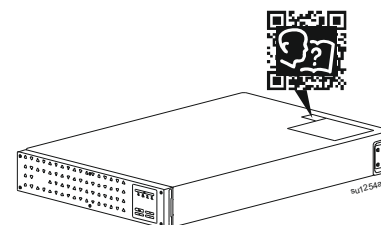
Allow a few minutes for the Ethernet connection to get properly established before you can complete the registration process.

For instructions on how to register your SmartConnect-compatible UPS, visit smartconnect-support.apc.com.



Location of product information QR code


Location of product information QR Code is shown in the illustration below. Scan the QR code for more information of the product.



Connect to equipment and utilities

- Connect the UPS to the AC Mains outlet for 2 hours, for charging the battery, before turning it ON for the first time.
- Upon receipt, connect the UPS to the AC Mains outlet for 2 hours to charge the battery.

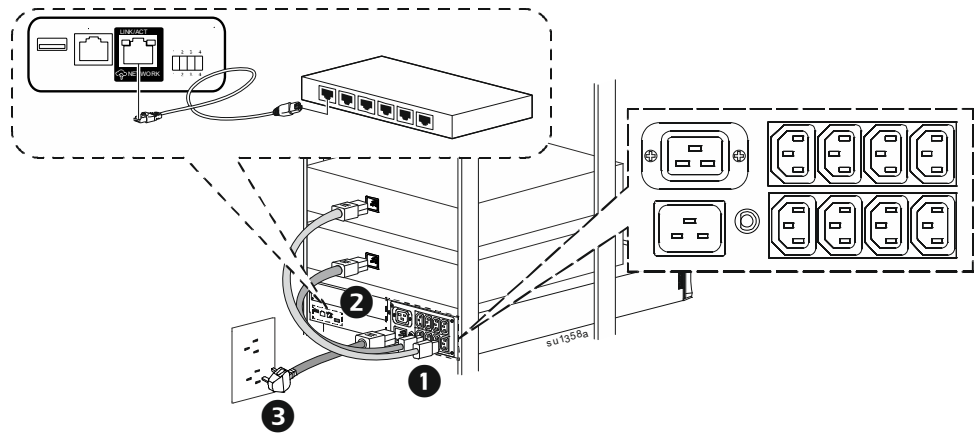
NOTE: The recommended shelf time of battery is not more than 12 months.


CAUTION

RISK OF DAMAGE TO EQUIPMENT OR PERSONNEL

- Adhere to all local and national electrical codes.
- Wiring should be performed by qualified electrician.
- Always connect the UPS to a grounded outlet.

Failure to follow these instructions can result in injury.



1	<p>Connect equipment to the outlets in the rear of the UPS. Some models are equipped with controlled outlet groups. Refer to “Outlet group configuration settings” on page 23 for details on the use of controlled outlet groups.</p>
2	<p>Connect the SmartConnect Ethernet port to your nearest network switch using the Ethernet cable provided.</p> <p>NOTE: By connecting the SmartConnect Ethernet port to the internet, you are agreeing to the APC SmartConnect Terms of Use and Data Privacy Notice, as found at smartconnect.apc.com/terms-and-privacy.</p>
3	<p>Connect the UPS input to AC power.</p> <p>NOTE: Once UPS is connected to AC power, the display will be active.</p>
4	<p>Press the UPS ON/OFF button on the UPS display to turn ON the UPS output.</p> <p>NOTE: The On-Line LED will illuminate green when the output is ON.</p>
5	<p>When the UPS is powered on for the first time, the Start Up Settings Screen will be displayed on the LCD display. Refer to “Start up Settings” on page 16 for details.</p>
6	<p>Log onto www.smartconnect.apc.com or scan the QR code to launch the registration process. The website includes instructions to setup your online account, activate your warranty and begin monitoring your UPS remotely.</p>

Start up Settings

When the UPS is powered on for the first time the display interface displays the Setup Wizard to configure the start up settings. Configuration can also be performed using PowerChute™ software.

NOTE: If the start up settings asked by the Setup Wizard are not selected completely, turning on UPS output is inhibited. The Setup Wizard will disappear from the display if the start up settings remain idle for 2 minutes. Pressing the UPS ON/OFF button on the front panel display will relaunch the Setup Wizard and allow completion of the start up settings.

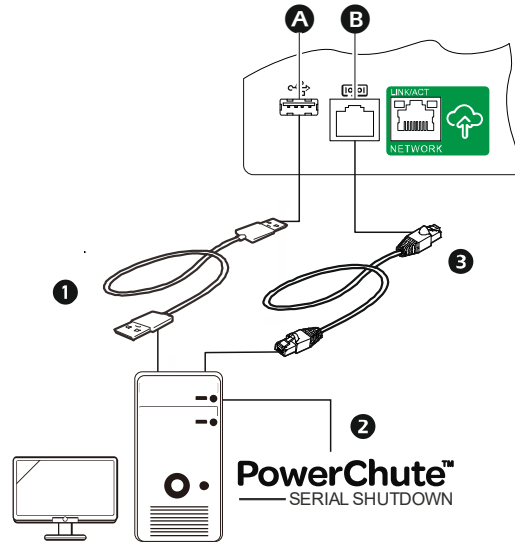
Use the UP/DOWN buttons on the LCD display to scroll through the options and press the ENTER button to select the option.

Function	Factory Default	Options	Description
Language	English	English French* German* Spanish* Italian* Portuguese* Japanese*	The language for the display interface. *Language options will vary by model.
Local Power Quality	Good	Good Fair Poor	Select the quality of input AC power. <ul style="list-style-type: none"> If Good is selected, the unit will go on battery power more often to provide the cleanest power supply to the connected equipment. If Poor is selected, the UPS will tolerate more fluctuations in power and will go on battery power less often. If unsure of the local power quality, select Good.
Menu Type	Standard	Standard Advanced	The standard menu displays the most commonly required menus for most users. The advanced menus include all parameters.
Today's Date	Manufacture date		Use the UP/DOWN buttons to enter the date, and press the ENTER button to complete the setting.

Connect and Install Management Software

Smart-UPS is provided with PowerChute UPS Management Software for unattended operating system shutdown, UPS monitoring, UPS control and energy reporting. The following diagram is a representation of a typical server installation.

A	USB Port
B	Serial Port











1	Connect the USB cable from the rear of the UPS to the protected device such as a server.
2	For a server or other device with an operating system, download and install latest version of the PowerChute Serial Shutdown from https://www.apc.com/pcss . PowerChute Serial Shutdown supports graceful shutdown in the event of an extended power outage. NOTE: PowerChute is a 64-bit only application and cannot be installed on a 32-bit operating system.
3	A built-in Serial port is also available for additional communication options with serial cable. NOTE: Serial and USB cannot be used at the same time.
Even more communication options are available via the built-in Smartslot. Refer to www.apc.com for more information.	

Operation

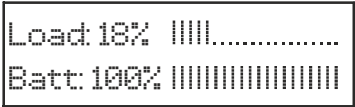
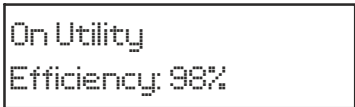
Using the display

These Smart-UPS models are equipped with an intuitive and configurable LCD display. This display complements the software interface as they convey similar information and either may be used to configure the UPS settings.

The display consists of the following keys and indicators:

UPS ON/OFF Button 	This button is used to turn the UPS output power on and off.
Quick status LEDs	
On-line LED 	The Online indicator illuminates green when UPS output is turned on and operating on AC power.
On-battery LED 	The On-battery indicator illuminates orange and the unit will continue to emit a series of short beeps indicating that the UPS is operating on battery power.
Error detected LED 	The Error detected LED will illuminate red if the unit detects an error condition. The display screen may also indicate an error message or code.
Replace battery LED 	The Replace battery indicator illuminates red when the UPS battery does not pass self test and requires replacement.
ESCAPE key 	The ESCAPE key always returns the display to the previous screen. It is used to exit the various display menus.
ENTER key 	The ENTER key is used to confirm a selection and/or enter a menu.
UP/DOWN keys 	UP and DOWN keys are used to navigate through each menu selection.

The display has two main display/menu options – standard and advanced.

 <p style="text-align: right; font-size: small;">su0983a</p>	 <p style="text-align: right; font-size: small;">su0984a</p>
Standard Menu Display	Advanced Menu Display

Note: The standard menu is the default setting and does not contain all of the menus and attributes of the advanced menu. The advanced menu automatically scrolls through multiple screens.

Standard menus

The Standard menus are the most commonly used menus. The following is a list of some items displayed in this menu mode. Visit apc.com for additional details.

Menu	General Functions
Status	View UPS information: <ul style="list-style-type: none"> • Operating Mode • Efficiency • Load Power • Load VA • Battery Charge state • Estimated Runtime • Battery Temp • Input • Output • SmartConnect • Probe 1, Probe 2, when NMC and sensor probes are installed
Configuration	Configures UPS settings: <ul style="list-style-type: none"> • Language • Green Mode • Local Power Quality: Good, Fair, Poor • Menu Type: Standard or Advanced • Audible Alarm • Display (Auto Dim, Auto Off, Always On) • Reset to Factory Default • SmartConnect Control • Install FW? Note: Enabled only if a firmware update is available.
Test & Diags	Performs UPS tests and diagnostic functions: <ul style="list-style-type: none"> • UPS Self Test • UPS Alarms Test
About	View UPS information: <ul style="list-style-type: none"> • UPS Model • UPS Part No. • UPS Serial No. • UPS Manufacture Date • Battery Part No. • Battery Install Date • Replace Battery by • Running UPS FW • Available UPS FW Note: Enabled only if a UPS firmware update is available. • UPS MAC • UPS IP Address • UPS Product Key • SmartSlot Card (if installed)

Advanced menus

The Advanced menus provide additional options for the UPS and are available only if the display interface is configured to use the Advanced menus.

Menu	General Functions
Status	View detailed UPS information: <ul style="list-style-type: none"> • Operating Mode • Efficiency • Load Power • Load VA • Load Amps • Load Energy • Battery Charge State • Estimated Runtime • Battery Voltage • Battery Temp • Input • Output • Outlet Groups • SmartConnect • Probe 1, Probe 2, when NMC and sensor probes are installed
Control	Controls the Main and Controlled Outlet Group to turn on, turn off, shutdown, or reboot: <ul style="list-style-type: none"> • UPS Control • Outlet Group Control
Configuration	Configure advanced UPS settings: <ul style="list-style-type: none"> • Language • Output Voltage Note: Setting can be configured only when UPS output is turned off. • Green Mode • Local Power Quality • Menu Type • Audible Alarm • Display • Sensitivity • Low Transfer • High Transfer • Low Battery Setting • Auto Self Test • Reset Energy Meter • Enter Setup Wizard • Reset to Factory Defaults • Site Wiring Fault • Config Main Group Outlets • Config Group Outlets (if Controlled Outlet is available) • ModBus Settings • SmartConnect Control • UPS IP Address Setting • NMC IP Address Settings (if NMC is available) • FW Update Interfaces • Install FW? (only available if a firmware update is available)
Test & Diag	Perform UPS tests and diagnostics functions: <ul style="list-style-type: none"> • UPS Self Test • UPS Alarms Test
Logs	View the error log for information about UPS errors that have occurred.

Menu	General Functions
About	<p>View UPS information:</p> <ul style="list-style-type: none"> • UPS Model • UPS Part No. • UPS Serial No. • UPS Manufacture Date • Battery Part No. • Battery Install Date • Replace Battery by • Running UPS FW • Available UPS FW • Note: Enabled only if a UPS firmware update is available. • UPS MAC • UPS IP Address • UPS Product Key • SmartSlot Card (if installed)

Configuration

General configuration settings

Configuration settings may be changed at any time using the LCD interface or PowerChute software. This table provides a brief description of the general settings, for more detailed information on each of these parameters consult application note 80 at www.apc.com.

Setting	Factory Default	Options	Description
High Transfer	253 Vac	253 Vac - 265 Vac	To avoid unnecessary battery usage, set the transfer point higher if the AC voltage is chronically high and the connected equipment is known to work under this condition. The Power Quality setting will automatically change this setting. NOTE: Use the Advanced Menus to configure this setting.
Low Transfer	207 Vac	195 Vac - 207 Vac	Sets the transfer point lower if the AC voltage is chronically low and the connected equipment can tolerate this condition. This setting may also be adjusted using the power quality setting. NOTE: Use the Advanced Menus to configure this setting.
Sensitivity	Normal	<ul style="list-style-type: none"> • Normal • Reduced • Low 	<p>Selects the level of sensitivity to power events that the UPS will tolerate.</p> <ul style="list-style-type: none"> • Normal: The UPS will go on battery power more often to provide the cleanest power supply to the connected equipment. • Low: The UPS will tolerate more fluctuations in power and will go on battery power less often. <p>If the connected load is sensitive to power disturbances, set the sensitivity to Normal.</p>
Date of Last Battery Replacement	Date set at factory. Reset this date when the battery module is replaced.		
Display	Auto Off	<ul style="list-style-type: none"> • Auto Off • Auto Dim • Always On 	<p>The UPS can be configured to change the LCD brightness when the interface has not been used for 4 minutes.</p> <ul style="list-style-type: none"> • Auto Off: The LCD turns off. This is used as the default to extend LCD lifetime. • Auto Dim: The LCD switches to a lower brightness. • Always On: The LCD is always at the lower brightness and does not change due to inactivity.
Audible Alarm	On	<ul style="list-style-type: none"> • On • Off 	The UPS will mute all audible alarms if this is set to Off or when the display buttons are pressed.

Setting	Factory Default	Options	Description
Auto Self Test	On start-up and every 14 days since the last test	<ul style="list-style-type: none"> • Never • Start-up only • Frequency of test (every 7 to 14 days) 	The interval at which the UPS will execute a self-test.
Reset to Factory Default	No	Yes/No	Restores the UPS factory default settings.
Site Wiring Fault	Enable	Enable/Disable/Can Ack	Sets the Site Wiring Fault detection to Enable, Disable or User Can Acknowledge
Output voltage	230 V	<ul style="list-style-type: none"> • 220Vac • 230Vac • 240Vac 	<p>Selects the output voltage. This is only settable when the UPS is turned off.</p> <p>Select the output voltage appropriate to the location.</p>
Green Mode	Enable	<ul style="list-style-type: none"> • Enable • Disable 	This will enable or disable Green mode function. Green Mode conserves energy while the UPS is operating on line.
SmartConnect Control	Enable	<ul style="list-style-type: none"> • Enable • Disable 	This will permit remote configuration changes.
Low Battery Setting	150 sec	Set the value in seconds	The UPS will emit an audible alarm when the remaining runtime has reached this level.
FW Update Interfaces	Enable	<ul style="list-style-type: none"> • Enable • Disable 	Enable or disable FW updates.
		<ul style="list-style-type: none"> • Serial port • SmartConnect Ethernet port • SmartSlot • USB 	<p>Communication port through which the FW is to be updated.</p> <p>NOTE: This option will get enabled only when <i>FW Update Interfaces</i> is set to Enable.</p>
Install FW?	Don't Install	<ul style="list-style-type: none"> • Next off (Updates the UPS Firmware next time that the UPS is turned off) • Now (Updates the UPS firmware immediately without interrupting operations) • Don't Install 	Firmware update: this only appears when new firmware is available in the flash memory of the UPS and is ready to be installed

Outlet group configuration settings

The Main Outlet Group and the Controlled Outlet Group can be configured to independently turn off, turn on, shut down, and reboot connected equipment.

The Main and Controlled Outlet Groups can be configured to do the following:

- Turn OFF: Disconnect from power immediately and restart only with a manual command.
- Turn ON: Connect to power immediately.
- Shutdown: Disconnect power in sequence, and automatically reapply power in sequence when AC power becomes available.
- Reboot: Shut down and restart.

In addition, the Main Outlet Group and the Controlled Outlet Group can be configured to do the following:

- Turn ON or Turn OFF in a specified sequence
- Automatically turn OFF or shut down when various conditions occur

NOTE: If the Main and Controlled Outlet Groups are not configured, all the outlets on the unit will still provide battery back-up power.

NOTE: The Main Outlet Group functions as a master switch. It will turn on first when power is applied, and shut off last when there is a power outage and battery run-time has been exhausted.

The Main Outlet Group must be turned on for the Controlled Outlet Group to turn on.

Setting	Factory Default	Options	Description
Name String Outlet Group	Outlet Group 1	Edit these names using an external interface, such as the Network Management Card Web interface.	
UPS Name String	UPS Outlets		
Turn On Delay	0 sec	Set the value in seconds	The amount of time the UPS or the Controlled Outlet Group will wait between receiving the command to turn on and the actual startup.
Turn Off Delay	<ul style="list-style-type: none"> • 0 sec (UPS Outlets) • 90 sec (Controlled Outlet Groups) 	Set the value in seconds	The amount of time the UPS or the Controlled Outlet Group will wait between receiving the command to turn off and the actual shut down.
Reboot Duration	8 sec	Set the value in seconds	The amount of time that the UPS or the Controlled Outlet Group must remain off before it will restart.
Minimum Return Time	0 sec	Set the value in seconds	The amount of battery runtime that must be available before the UPS or the Controlled Outlet Group will turn on.
Load Shed On Battery	Disabled	<ul style="list-style-type: none"> • Shutdown with Delay • Shutdown immediately • Turn off immediately • Turn off with delay • Disabled 	<p>When the unit switches to battery power, the UPS can disconnect power to the Controlled Outlet Group to save runtime.</p> <p>To configure this delay time, use the LOAD SHED TIME WHEN ON BATTERY setting.</p>
Load Shed Time when On Battery	Disabled	Set the value in seconds	The amount of time the outlets will function on battery power before they will turn off.

Setting	Factory Default	Options	Description
Load Shed On Runtime	Disabled	<ul style="list-style-type: none"> • Shutdown with delay • Shutdown immediately • Turn off immediately • Turn off with delay • Disabled 	<p>When the battery runtime falls below the specified value, the Controlled Outlet Group will turn off.</p> <p>Configure this time using the LOAD SHED RUNTIME REMAINING setting.</p>
Load Shed On Runtime Remaining	Disabled	Set the value in seconds	When the remaining runtime reaches this level, the Controlled Outlet Group will turn off.
Load Shed on Overload	Disabled	<ul style="list-style-type: none"> • Disabled • Enabled 	In the event of an overload (greater than 100% output power), the Controlled Outlet Group will immediately turn off to conserve power for critical loads. The Controlled Outlet Group will only turn on again with a manual command.

Modbus settings

Setting	Factory Default	Options	Description
Slave ID	1	1- 223	Sets the Modbus slave address of UPS
Ser+USB	Disable	<ul style="list-style-type: none"> • Enable • Disable 	Enables or disables UPS Modbus protocol over serial and USB ports
TCP Settings TCP Protocols	Disable	<ul style="list-style-type: none"> • Disable • Read-Only • Read-Write 	<p>Enables or disables UPS Modbus TCP/IP protocol provided by the embedded SmartConnect port.</p> <ul style="list-style-type: none"> • Disable: Disables UPS Modbus TCP/IP protocol • Read-Only: Modbus master over TCP/IP protocol is only allowed to get UPS status. • Read-Write: Modbus master over TCP/IP protocol is allowed to get UPS status and control the UPS. <p>The port number of UPS Modbus TCP/IP protocol is fixed at 502.</p>
Master IP Addr	000.000.000.000	A valid IPv4 address	<p>Specifies the IPv4 address of the Modbus master that will allow connection to the UPS via Modbus TCP/IP protocol</p> <p>The <i>Master IP Addr</i> when set as 000.000.000.000 will allow connection of external Modbus master with any IP address. When not set as 000.000.000.000, only the Modbus master with the specified IP address is allowed to connect to the UPS.</p> <p>Example: <i>Master IP Address</i> is set to 192.168.0.10, only Modbus master with IP address 192.168.0.10 could connect to the UPS.</p>

UPS IP Address settings

Setting	Factory Default	Options	Description
UPS IP Address Mode	DHCP	<ul style="list-style-type: none"> • DHCP • Manual 	<p>Selects the IP address configuration mode of UPS embedded SmartConnect port:</p> <ul style="list-style-type: none"> • DHCP: UPS will automatically configure its IPv4 address via DHCP protocol. • Manual: Manually assigns a static IPv4 address to UPS
IP Address	000.000.000.000	A valid IPv4 address	<p>This is the IPv4 address assigned to the embedded SmartConnect port.</p> <p>When DHCP IP address mode is selected, it will display the UPS IPv4 address assigned by DHCP server.</p> <p>When Manual IP address mode is selected, you need to manually specify a static IPv4 address.</p>
Subnet Mask	000.000.000.000	A valid IPv4 subnet mask	<p>Assigns the subnet mask of the network where UPS IPv4 address belongs.</p> <p>When DHCP IP address mode is selected, it will display the subnet mask assigned by DHCP server.</p> <p>When Manual IP address mode is selected, you need to manually specify the subnet mask of the network where the specified static IPv4 address belongs.</p>
Default Gateway	000.000.000.000	A valid IPv4 address	<p>This is the IPv4 address of the host from where the UPS sends data to another network or Internet.</p> <p>When DHCP IP address mode is selected, it will display the default gateway assigned by DHCP server.</p> <p>When Manual IP address mode is selected, you need to manually specify the IPv4 address of default gateway.</p>
DNS Server 1	000.000.000.000	A valid IPv4 address	<p>The IPv4 address of first domain name server (DNS) the UPS uses to resolve host names to IPv4 addresses.</p> <p>When DHCP IP address mode is selected, it will display the IPv4 address of the first DNS server assigned by DHCP server.</p> <p>When Manual IP address mode is selected, you need to manually specify the IPv4 address of the first DNS server.</p>
DNS Server 2	000.000.000.000	A valid IPv4 address	<p>The IPv4 address of second domain name server (DNS) the UPS uses to resolve host names to IPv4 addresses (<i>only when UPS fails to resolve IP address through first domain name server</i>). This setting is optional.</p> <p>When DHCP IP address mode is selected, it will display the IPv4 address of the second DNS server assigned by DHCP server.</p> <p>When Manual IP address mode is selected, you can manually specify the IPv4 address of the second DNS server or leave it as 000.000.000.000.</p>


Emergency Power Off

Overview

The Emergency Power Off (EPO) option is a safety feature that will immediately shut off power to all connected equipment. When the EPO button is pushed, all connected equipment will immediately turn off and will not switch to battery power.

Connect each UPS to the EPO switch. In configurations where multiple units are connected in parallel, each UPS must be connected to the EPO switch.

The UPS must be restarted for power to return to connected equipment. Press the ON/OFF button on the front panel of the UPS.

 **CAUTION**

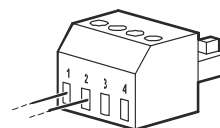
RISK OF ELECTRIC SHOCK

- Adhere to all local and national electrical codes.
- Wiring should be performed by a qualified electrician.
- Always connect the UPS to a grounded outlet.

Failure to follow these instructions can result in minor or moderate injury.

Normally open contacts

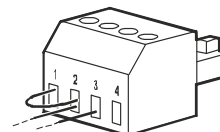
1. If the EPO switch or relay contacts are normally open, insert the wires from the switch or contacts at pins 1 and 2 of the EPO terminal block. Use 16-28 AWG wire.
2. Secure the wires by tightening the screws.



If the contacts are closed, the UPS will turn OFF and power will be removed from the load.

Normally closed contacts

1. If the EPO switch or relay contacts are normally closed, insert the wires from the switch or contacts at pins 2 and 3 of the EPO terminal block. Use 16-28 AWG wire.
2. Insert a wire jumper between pins 1 and 2. Secure the wires by tightening the three screws at positions 1, 2, and 3.



If the contacts are opened, the UPS will turn OFF and power will be removed from the load.

Note: Pin 1 is the power source for the EPO circuit, it provides a few milliAmps of 24 V power.

If the normally closed (NC) EPO configuration is used, the EPO switch or relay should be rated for dry circuit applications, the rating should be for low voltage and low current applications. This normally implies the contacts are gold plated.

The EPO interface is a Safety Extra Low Voltage (SELV) circuit. Connect the EPO interface only to other SELV circuits. The EPO interface monitors circuits that have no determined voltage potential. SELV circuits are controlled by a switch or relay properly isolated from utility power. To avoid damage to the UPS, do not connect the EPO interface to any circuit other than a SELV circuit.

Use one of the following cable types to connect the UPS to the EPO switch.

- CL2: Class 2 cable for general use.
- CL2P: Plenum cable for use in ducts, plenums, and other spaces used for environmental air.
- CL2R: Riser cable for use in a vertical run in a floor-to-floor shaft.
- CLEX: Limited use cable for use in dwellings and for use in raceways.
- Installation in Canada: Use only CSA certified, type ELC, (extra low voltage control cable).
- Installation in countries other than Canada and the USA: Use standard low voltage cable in accordance with national and local regulations.

Troubleshooting

Problem and Possible Cause	Solution
The UPS will not turn on or there is no output.	
The unit has not been turned on.	Press the UPS ON/OFF key once to turn on the UPS.
The UPS is not connected to AC power.	Be sure the power cable is securely connected to the unit and to the AC power supply.
The input circuit breaker has tripped.	Reduce the load on the UPS. Disconnect nonessential equipment and reset the circuit breaker.
The unit shows very low or no input AC voltage.	Check the AC power supply to the UPS by plugging in a table lamp. If the light is very dim, check the AC voltage.
The battery connector plug is not securely connected.	Be sure that all battery connections are secure.
There is an internal UPS error detected.	Do not attempt to use the UPS. Unplug the UPS and have it serviced immediately.
The UPS is operating on battery, while connected to input AC power.	
The input circuit breaker has tripped.	Reduce the load on the UPS. Disconnect nonessential equipment and reset the circuit breaker.
There is very high, very low, or distorted input line voltage.	Move the UPS to a different outlet on a different circuit. Test the input voltage with the AC voltage display. If acceptable to the connected equipment, reduce the UPS sensitivity.
UPS is emitting intermittent beeps.	
The UPS is operating normally.	None. The UPS is helping protect the connected equipment.
UPS does not provide expected backup time.	
The UPS battery is weak due to a recent power outage or is near the end of its service life.	Charge the battery. Batteries require recharging after extended outages and wear out faster when put into service often or when operated at elevated temperatures. If the battery is near the end of its service life, consider replacing the battery even if the replace battery indicator has not illuminated.
The UPS is experiencing an overload condition.	Check the UPS load display. Unplug unnecessary equipment, such as printers.
Display interface LEDs flash sequentially.	
The UPS has been shut down remotely through software or an optional accessory card.	None. The UPS will restart automatically when AC power is restored.
The Error LED is illuminated. The UPS displays an error message and emits a constant beeping sound.	
Internal UPS error detected.	Do not attempt to use the UPS. Turn the UPS off and have it serviced immediately.
The Replace Battery icon is illuminated and the UPS beeps for one minute every five hours.	
The battery has a weak charge.	Allow the battery to recharge for at least four hours. Then, perform a self-test. If the problem persists after recharging, replace the battery.

Problem and Possible Cause	Solution
The Replace Battery icon is flashing and the UPS beeps for once every 2 seconds.	
The replacement battery is not properly connected.	Be sure that the battery connector is securely connected.
The UPS displays a site wiring error message.	
Site wiring errors detected include missing ground, line-neutral polarity reversal, and overloaded neutral circuit.	If the UPS indicates a site wiring error, have a qualified electrician inspect the building wiring.

Limited Factory Warranty

Schneider Electric IT Corporation (SEIT), warrants its products to be free from defects in materials and workmanship for a period of five (5) years from the date of purchase. The SEIT obligation under this warranty is limited to repairing or replacing, at its own sole option, any such defective products. Repair or replacement of a defective product or parts thereof does not extend the original warranty period.

This warranty applies only to the original purchaser who must have properly registered the product within 10 days of purchase. Products may be registered online at warranty.apc.com.

SEIT shall not be liable under the warranty if its testing and examination disclose that the alleged defect in the product does not exist or was caused by end user's or any third person's misuse, negligence, improper installation, testing, operation or use of the product contrary to SEIT's recommendations or specifications. Further, SEIT shall not be liable for defects resulting from: 1) unauthorized attempts to repair or modify the product, 2) incorrect or inadequate electrical voltage or connection, 3) inappropriate on site operation conditions, 4) Acts of God, 5) exposure to the elements, or 6) theft. In no event shall SEIT have any liability under this warranty for any product where the serial number has been altered, defaced, or removed.

EXCEPT AS SET FORTH ABOVE, THERE ARE NO WARRANTIES, EXPRESS OR IMPLIED, BY OPERATION OF LAW OR OTHERWISE, APPLICABLE TO PRODUCTS SOLD, SERVICED OR FURNISHED UNDER THIS AGREEMENT OR IN CONNECTION HEREWITH.

SEIT DISCLAIMS ALL IMPLIED WARRANTIES OF MERCHANTABILITY, SATISFACTION AND FITNESS FOR A PARTICULAR PURPOSE.

SEIT EXPRESS WARRANTIES WILL NOT BE ENLARGED, DIMINISHED, OR AFFECTED BY AND NO OBLIGATION OR LIABILITY WILL ARISE OUT OF, SEIT'S RENDERING OF TECHNICAL OR OTHER ADVICE OR SERVICE IN CONNECTION WITH THE PRODUCTS.

THE FOREGOING WARRANTIES AND REMEDIES ARE EXCLUSIVE AND IN LIEU OF ALL OTHER WARRANTIES AND REMEDIES. THE WARRANTIES SET FORTH ABOVE CONSTITUTE SEIT'S SOLE LIABILITY AND PURCHASER'S EXCLUSIVE REMEDY FOR ANY BREACH OF SUCH WARRANTIES. SEIT WARRANTIES EXTEND ONLY TO ORIGINAL PURCHASER AND ARE NOT EXTENDED TO ANY THIRD PARTIES.

IN NO EVENT SHALL SEIT, ITS OFFICERS, DIRECTORS, AFFILIATES OR EMPLOYEES BE LIABLE FOR ANY FORM OF INDIRECT, SPECIAL, CONSEQUENTIAL OR PUNITIVE DAMAGES, ARISING OUT OF THE USE, SERVICE OR INSTALLATION OF THE PRODUCTS, WHETHER SUCH DAMAGES

ARISE IN CONTRACT OR TORT, IRRESPECTIVE OF FAULT, NEGLIGENCE OR STRICT LIABILITY OR WHETHER SEIT HAS BEEN ADVISED IN ADVANCE OF THE POSSIBILITY OF SUCH DAMAGES. SPECIFICALLY, SEIT IS NOT LIABLE FOR ANY COSTS, SUCH AS LOST PROFITS OR REVENUE, WHETHER DIRECT OR INDIRECT, LOSS OF EQUIPMENT, LOSS OF USE OF EQUIPMENT, LOSS OF SOFTWARE, LOSS OF DATA, COSTS OF SUBSTITUANTS, CLAIMS BY THIRD PARTIES, OR OTHERWISE.

NOTHING IN THIS LIMITED WARRANTY SHALL SEEK TO EXCLUDE OR LIMIT SEIT'S LIABILITY FOR DEATH OR PERSONAL INJURY RESULTING FROM ITS NEGLIGENCE OR ITS FRAUDULENT MISREPRESENTATION OF TO THE EXTENT THAT IT CANNOT BE EXCLUDED OR LIMITED BY APPLICABLE LAW.

To obtain service under warranty you must obtain a Returned Material Authorization (RMA) number from customer support. Customers with warranty claims issues may access the SEIT worldwide customer support network through the SEIT Web site: www.apc.com. Select your country from the country selection drop down menu. Open the Support tab at the top of the web page to obtain information for customer support in your region. Products must be returned with transportation charges prepaid and must be accompanied by a brief description of the problem encountered and proof of date and place of purchase.

Transport the Unit

1. Shut down and disconnect all connected equipment.
2. Disconnect the unit from utility power.
3. Disconnect all internal and external batteries (if applicable).
4. Follow the shipping instructions outlined in the *Service* section of this manual.

Service

If the unit requires service, do not return it to the dealer. Follow these steps:

1. Review the *Troubleshooting* section of the manual to eliminate common problems.
2. If the problem persists, contact APC by Schneider Electric Customer Support through web site, www.apc.com.
 - a. Note the model number and serial number and the date of purchase. The model and serial numbers are located on the rear panel of the unit and are available through the LCD interface on select models.
 - b. Call APC Support and a technician will attempt to solve the problem over the phone. If this is not possible, the technician will issue a Returned Material Authorization Number (RMA#).
 - c. If the unit is under warranty, it will be repaired or replaced at no cost.
 - d. Service procedures and returns may vary internationally. Refer to the APC web site for country specific instructions.
3. Shipment of Lithium Ion Battery is highly regulated and the regulation is evolving. Pack the battery and UPS separately.
4. Always contact APC by Schneider Electric Customer Support to get the latest guidance on shipment of Lithium ion battery and UPS.
5. Pack the unit properly to avoid damage in transit. Damage sustained in transit is not covered under warranty.
6. Write the RMA# provided by Customer Support on the outside of the package.
7. Return the unit by insured, prepaid carrier to the address provided by Customer Support.

APC Worldwide Customer Support

Customer support for this or any other APC product is available at no charge in any of the following ways:

- Visit the our web site to access documents in the APC Knowledge Base and to submit customer support requests.
 - www.apc.com (Corporate Headquarters)
 - Connect to localized APC web site for specific countries, each of which provides customer support information.
 - www.apc.com/support/
 - Global support searching APC Knowledge Base and using e-support.
- Contact the APC Customer Support Center by telephone or e-mail.
 - Local, country specific centers: go to www.apc.com/support/contact for contact information.
 - For information on how to obtain local customer support, contact the our representative or the distributor from whom you purchased your APC product.

Schneider Electric

35 rue Joseph Monier
92500 Rueil Malmaison - France
Phone: +33 (0) 1 41 29 70 00
www.apc.com

As standards, specifications, and designs change from time to time,
please ask for confirmation of the information given in this publication.

© 2023 Schneider Electric. All Rights Reserved.

EN TME20822