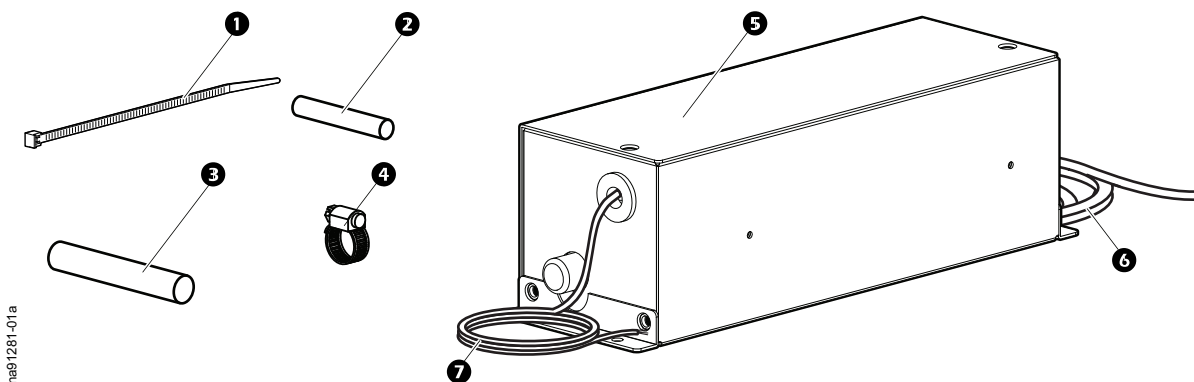


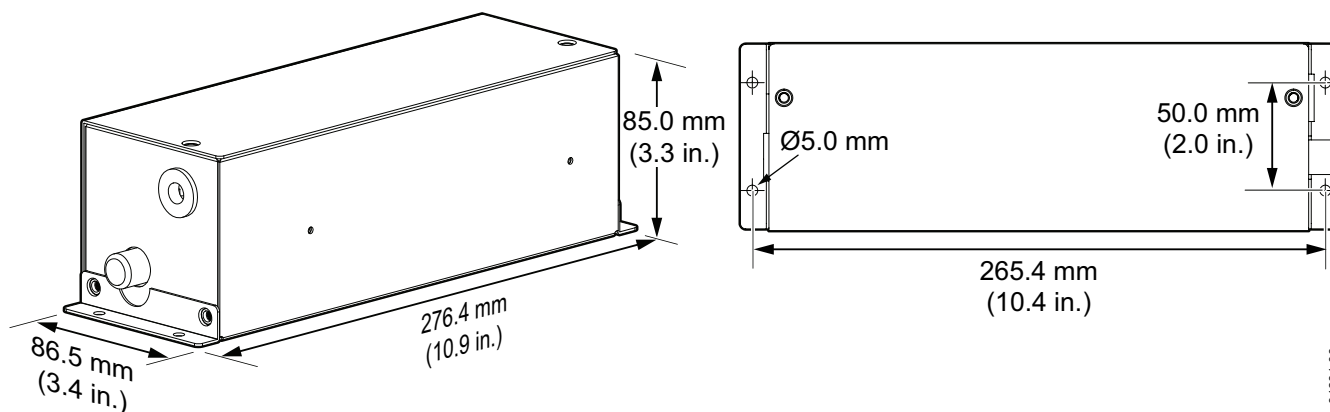
## ACAC10039—Rackmount 3.5-kW Condensate Drain Pump

### Inventory



Item	Description
1	Wire ties (4)
2	Copper adapter
3	Inlet hose
4	Hose clamp
5	Condensate pump
6	Drain hose
7	Power and communication connection cable

### Dimensions



# Installation

## NOTICE

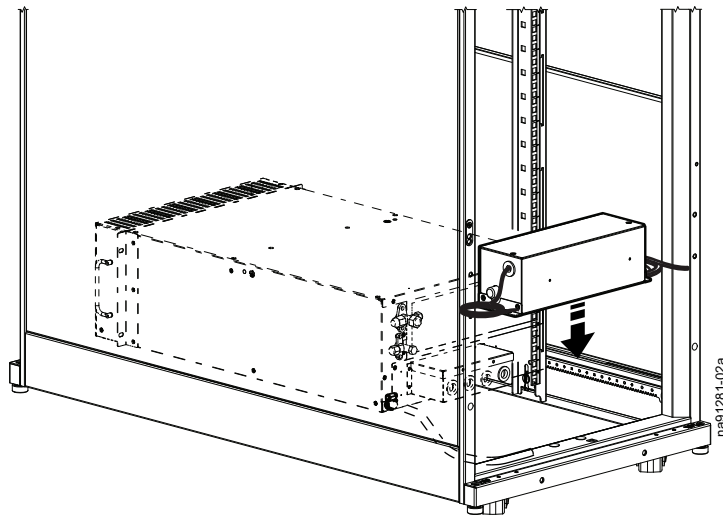
### DAMAGE TO EQUIPMENT

- Electrical equipment must be installed, operated, serviced, and maintained only by qualified personnel.
- Electrical service must conform to local and national electrical codes and regulations.
- Cables should not be in contact with high temperature objects (copper pipes and water pipes without thermal insulation) in order to avoid damaging the insulation layer.

**Failure to follow these instructions can result in equipment damage.**

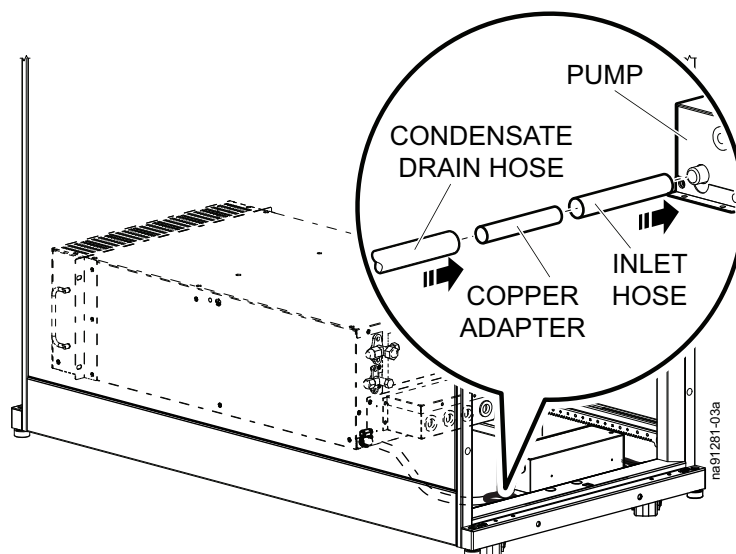
**NOTE:** The inlet of the pump kit must be lower than the condensate drain of the indoor unit. The maximum difference in height is 5 m (16.4 ft).

1. Place the condensate drain pump on the bottom of the rack cabinet behind the cooling unit.

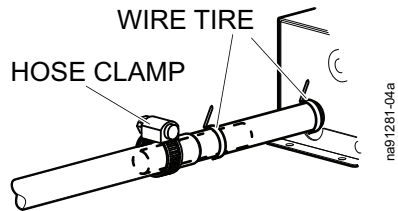


2. Connect the unit condensate drain hose and the pump inlet hose with the copper adapter.

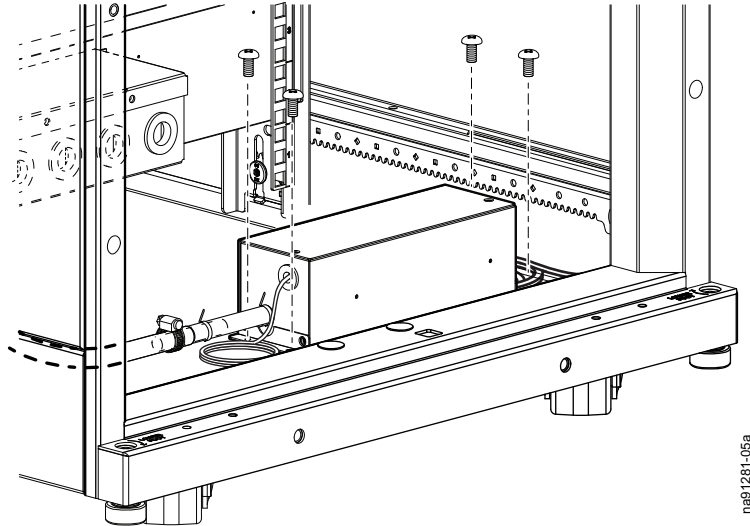
**NOTE:** The condensate drain hose from the cooling unit may need to be cut to avoid sharp bends and coiling of the hose.



3. Secure the hoses with the hose clamp.

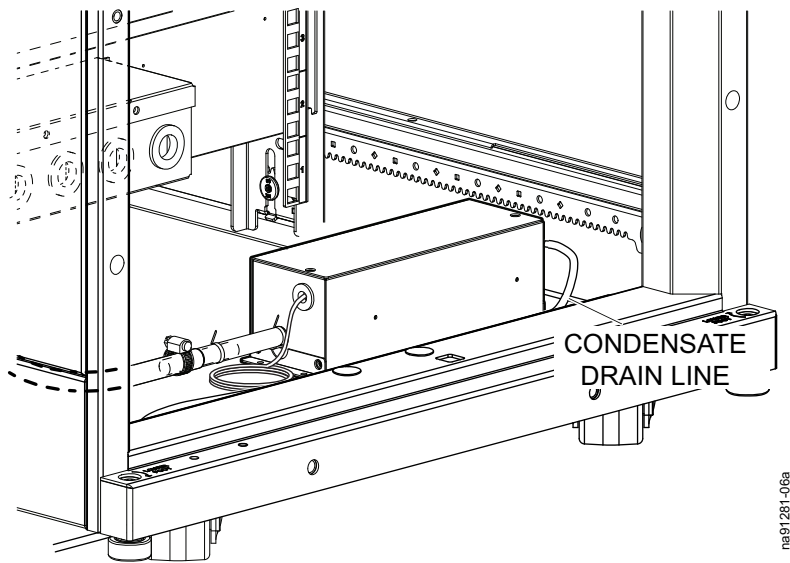


4. Secure the pump to the bottom of the rack cabinet with two M4 screws (field supplied).



5. Route the 3-m (9.8-ft) long condensate drain tube from the pump out of the unit.

**NOTE:** The tubing may be cut if it is too long for the application.



## Electrical Connections

### ⚠️ ⚠️ WARNING

#### RISK OF ELECTRIC SHOCK

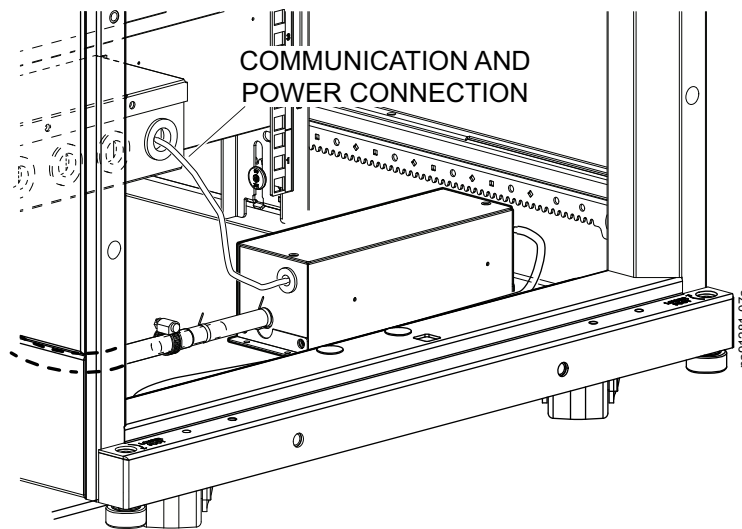
Before connecting the circuit, use the voltmeter to measure the input power supply voltage and ensure the power supply is off.

**Failure to follow these instructions can result in death, serious injury, or equipment damage.**

- The full load current is 0.1 A.
  - The main power supply is 220 V, 50 Hz (CCC certified units).
  - The main power supply is 200–240 V, 50 Hz (CE certified units).
1. Route the power and communication connections cable into the electrical box of the cooling unit.



See the *Installation Manual* for the cooling unit.



2. Connect the communication wires of the pump (two black wires) to terminals P1 and P2 of the cooling unit.
3. Connect the power wires of the pump (blue and brown wires) to terminals L3 and N of the cooling unit.